

GTB EP

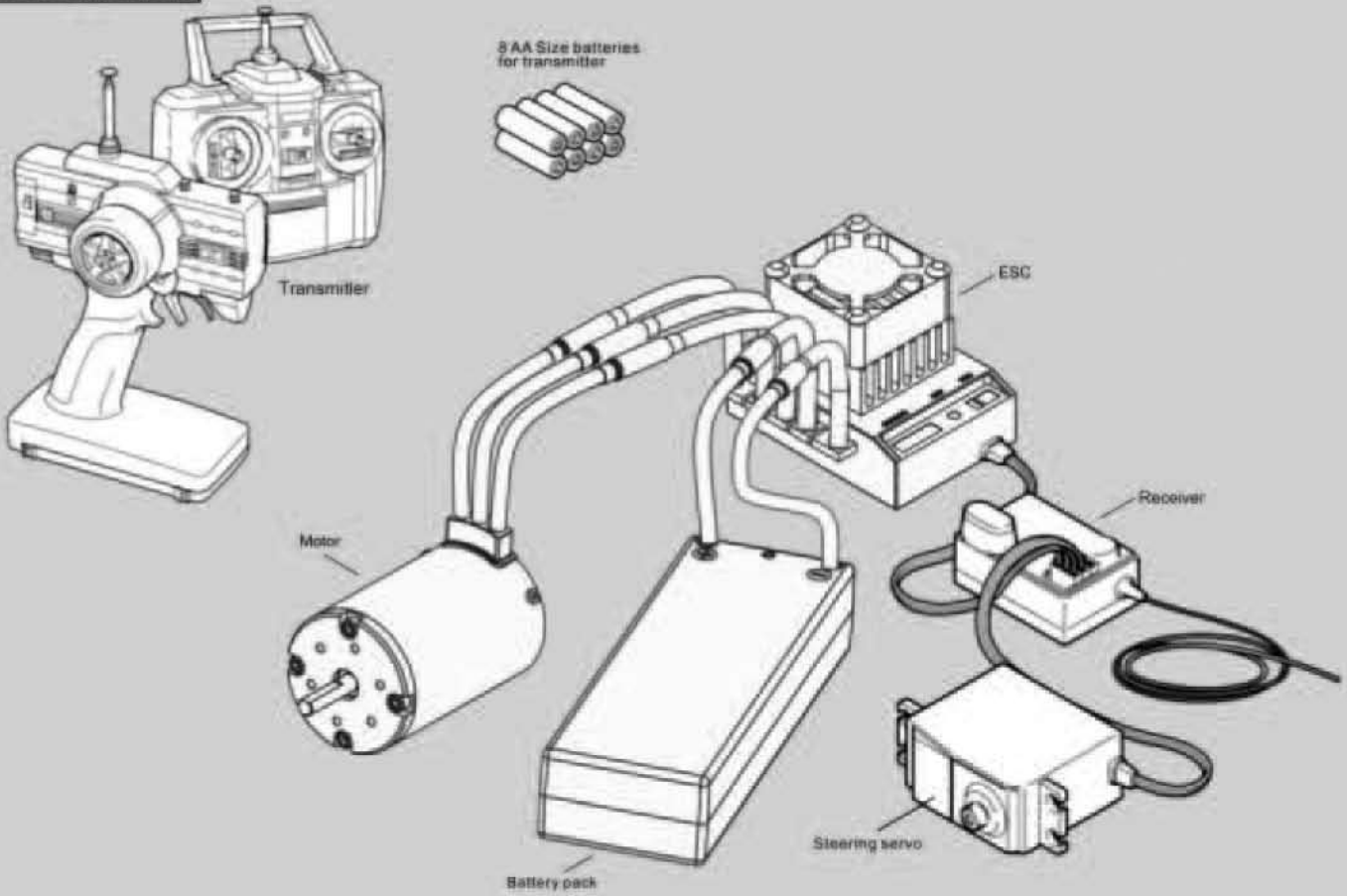


INSTRUCTION MANUAL
Hobao Racing

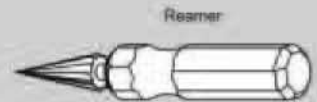
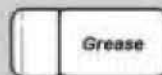
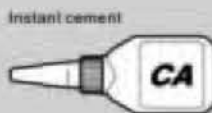
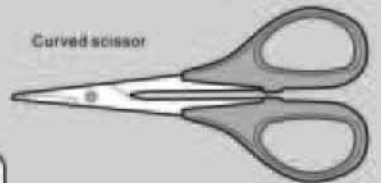
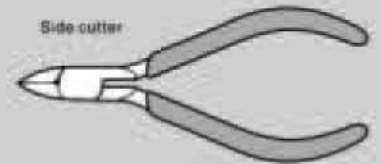
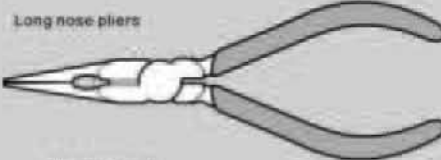
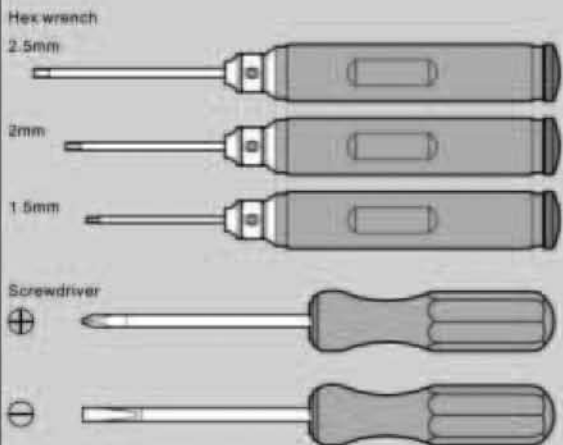
GTB

Required

Radio control equipment set



Tools recommended

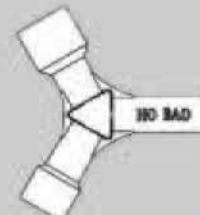


Included Items

Hex wrench with

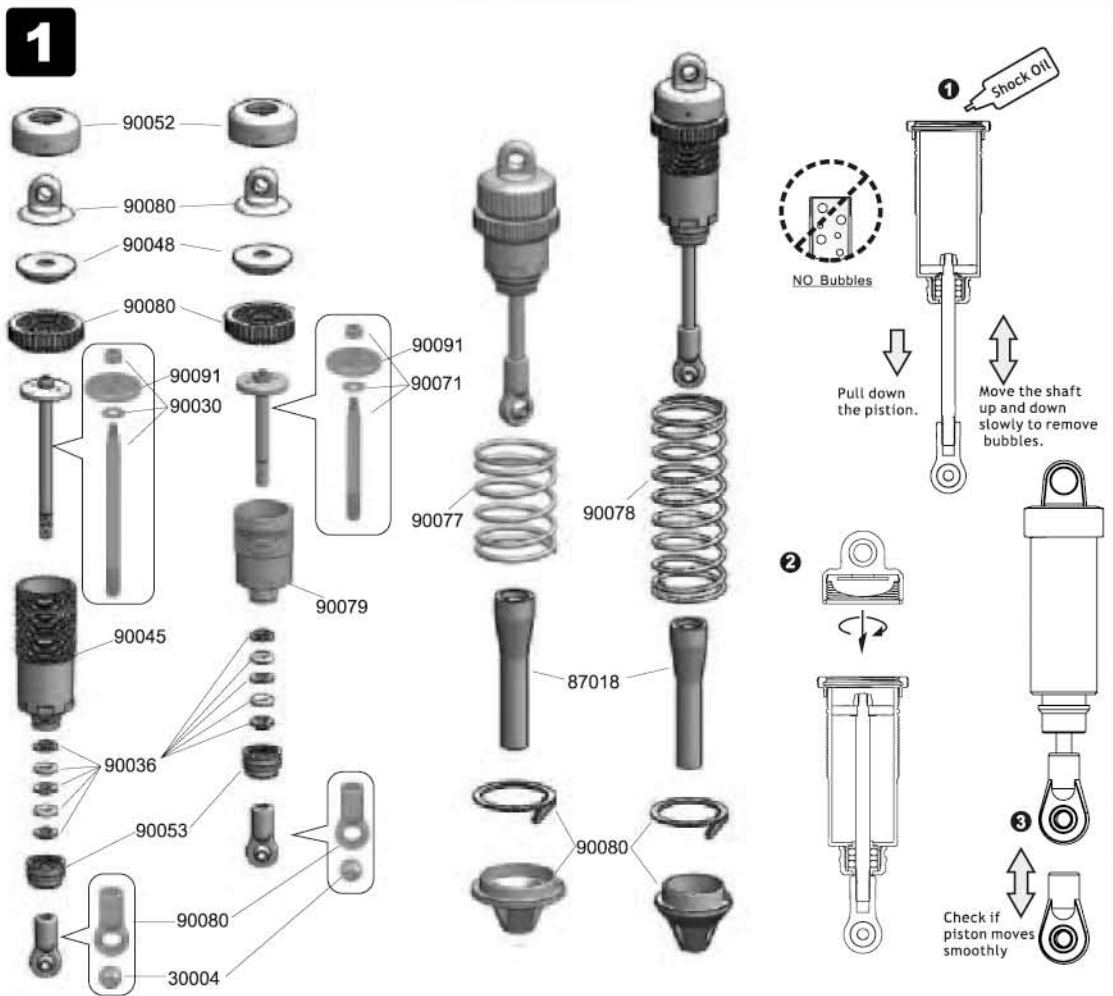


Wrench










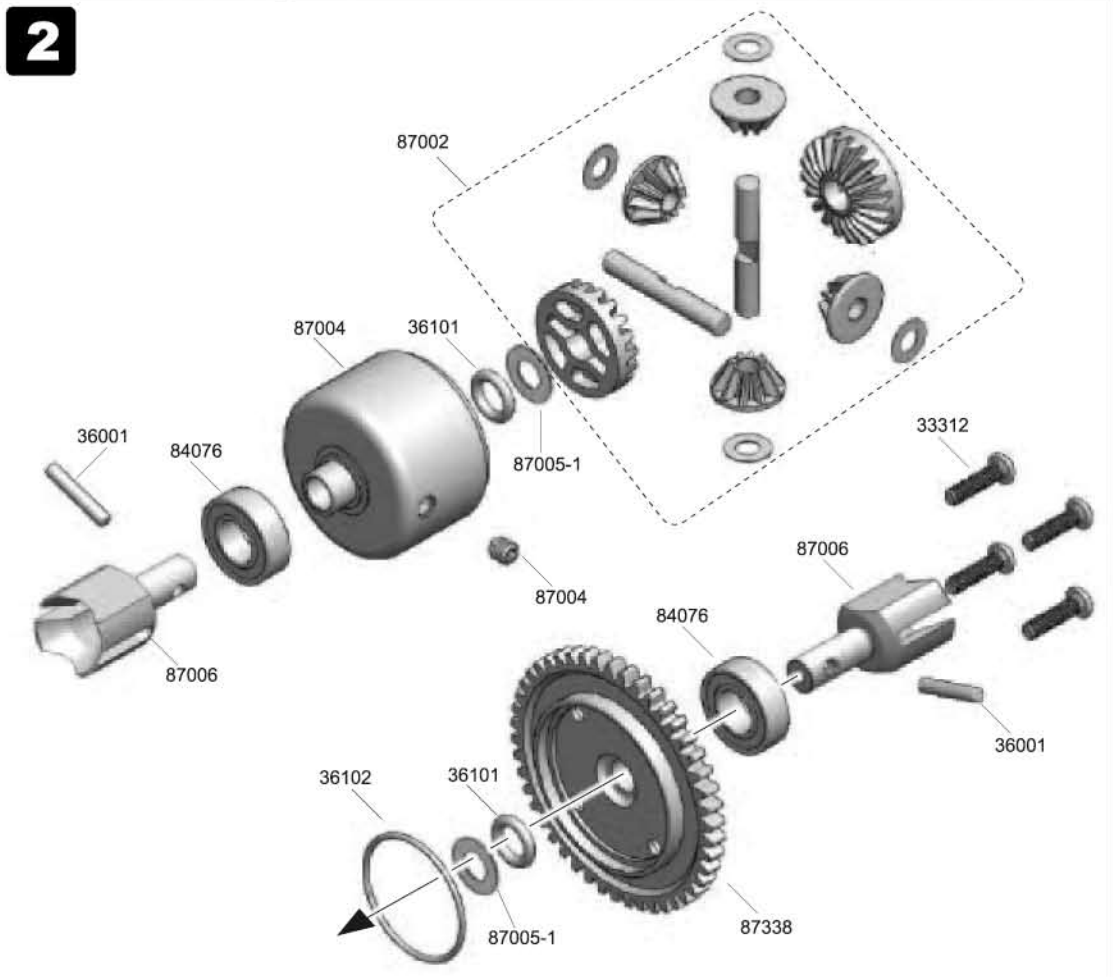
Shock Assembly

-  90030(90071)
M2.6 Nut x4
-  90030(90071)
3.1x7x0.25mm x4
Washer
-  90036
O-ring Shield x8
-  90036
4x8mm x8
O-Ring
-  90036
4.05x7.98x1.2mm x4
Washer
-  30004
6.8mm x4
Ball









Center Differential Assembly

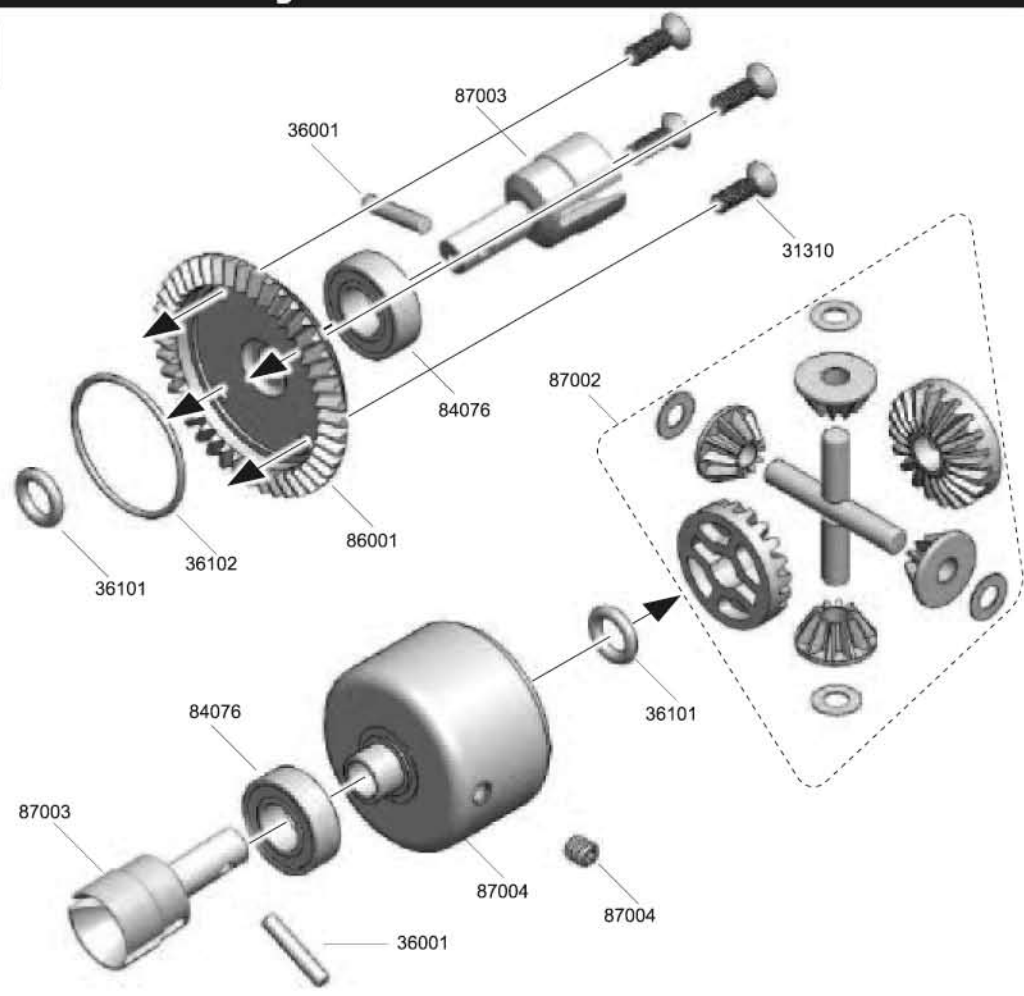
-  87004
4x4mm x1
Set Screw
-  33312
3x12mm x4
B/H Screw
-  36001
2.5x13.8mm x2
Pin
-  36101
5.8x1.9mm x2
O-Ring
-  84076
8x16x5mm x2
Ball Bearing
-  87002
4x26.8mm x2
Shaft
-  87005-1
6.2x13.9x0.15mm x1
Washer





Front/Rear Differential Assembly

-  87004
4x4mm x1
Set Screw
-  31310
3x10mm x4
F/H Screw
-  36001
2.5x13.8mm x2
Pin
-  36101
5.8x1.9mm x2
O-Ring
-  84076
8x16x5mm x2
Ball Bearing
-  87002
4x26.8mm x2
Shaft

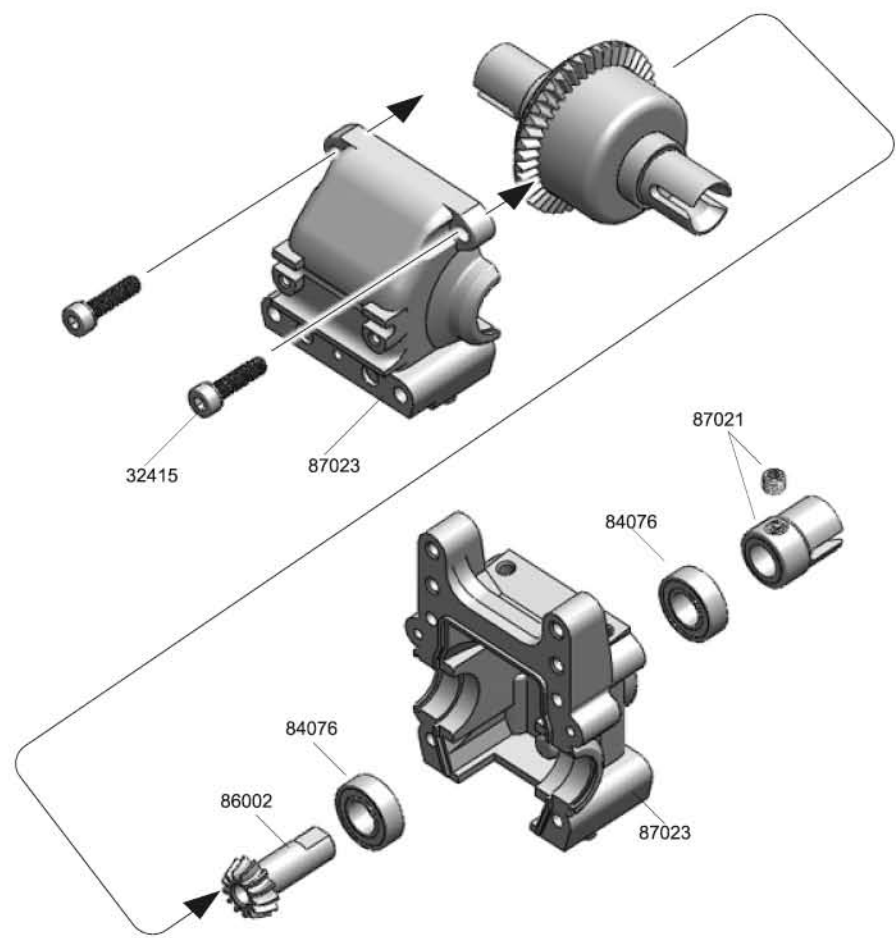
3



Front/Rear Gear Box Assembly

-  87021
5x4mm x1
Set Screw
-  32415
4x15mm x2
Cap Screw
-  84076
8x16x5mm x2
Ball Bearing

4



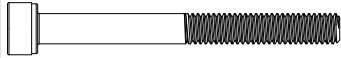
Front Lower Arm Holder Assembly



33310
3x10mm x2
B/H Screw

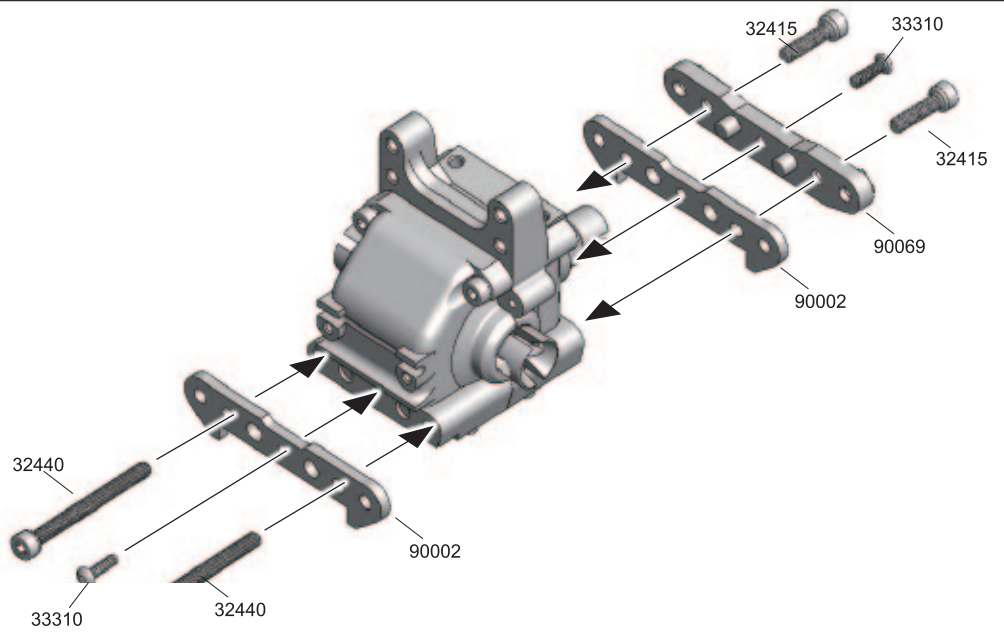


32415
4x15mm x2
Cap Screw



32440
4x40mm x2
Cap Screw

5



Front Shock Tower Assembly



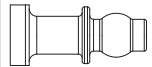
33312
3x12mm x2
B/H Screw



32316
3x16mm x2
Cap Screw

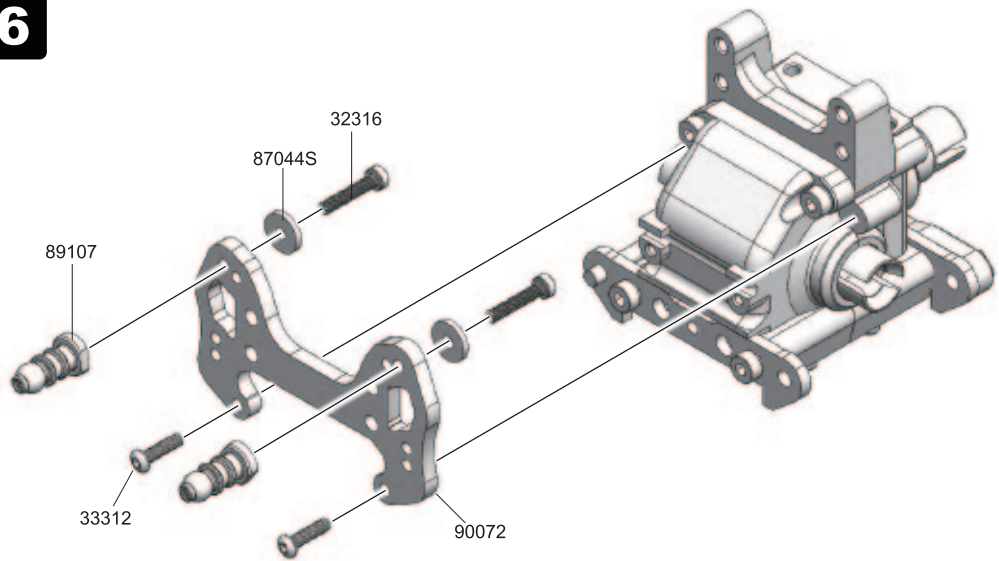


87044S
3x10mm x2
Alum. Washer



89107
6.8mm x2
Shock Ball Stud

6



Steering Knuckle Assembly



87027
5x5mm x2
Set Screw



90038
3x8mm x4
Set Screw



31318
3x18mm x2
F/H Screw



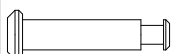
39008
M3 Nut x2



87027
3x16.8mm x2
Pin

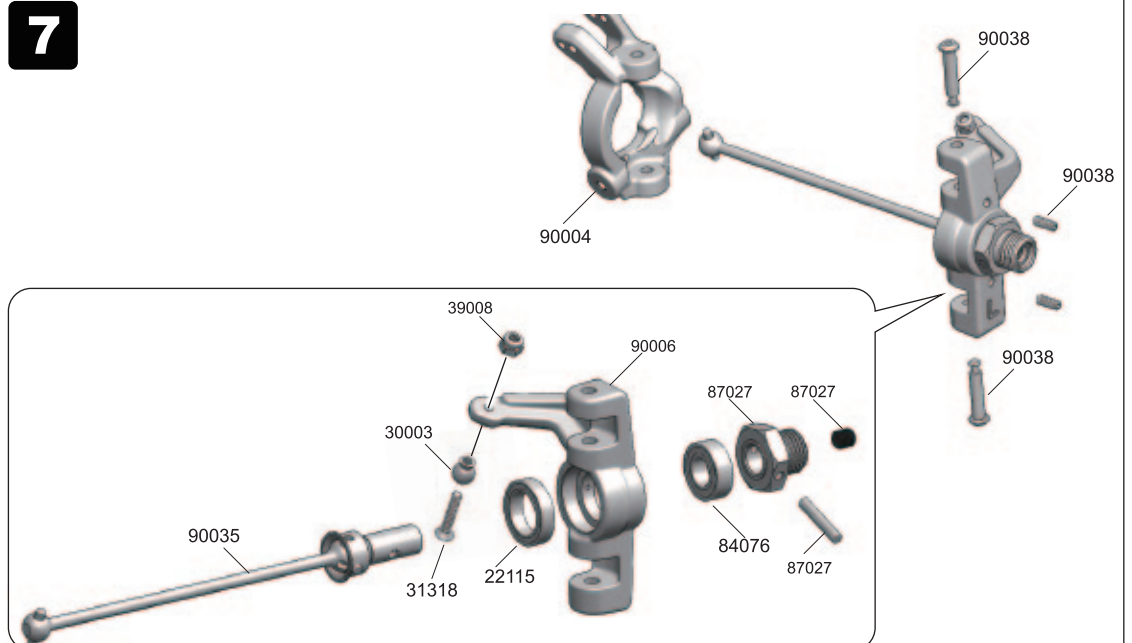


30003
6.8mm x2
Steering Ball



90038
Hinge Pin x4

7



Front Suspension Arm Assembly 1

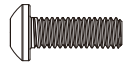


39008
M3 Nut x2

8



30002
7.8mm x2
Ball Long



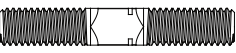
35412
4x12mm x2
B/H Screw



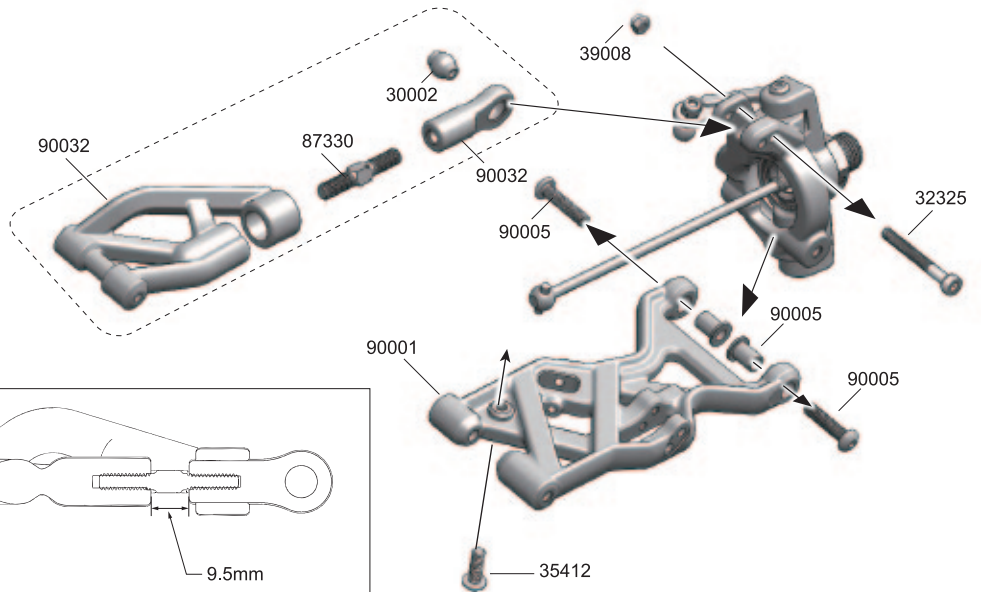
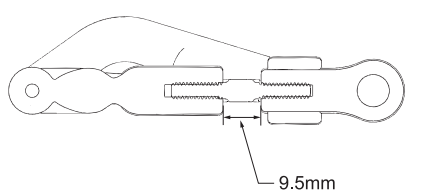
90005
4x18mm x4
B/H Screw



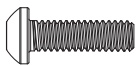
32325
3x25mm x2
Cap Screw



87330
5x31mm x2
Turnbuckle



Front Suspension Arm Assembly 2



33414
4x14mm x4
B/H Screw

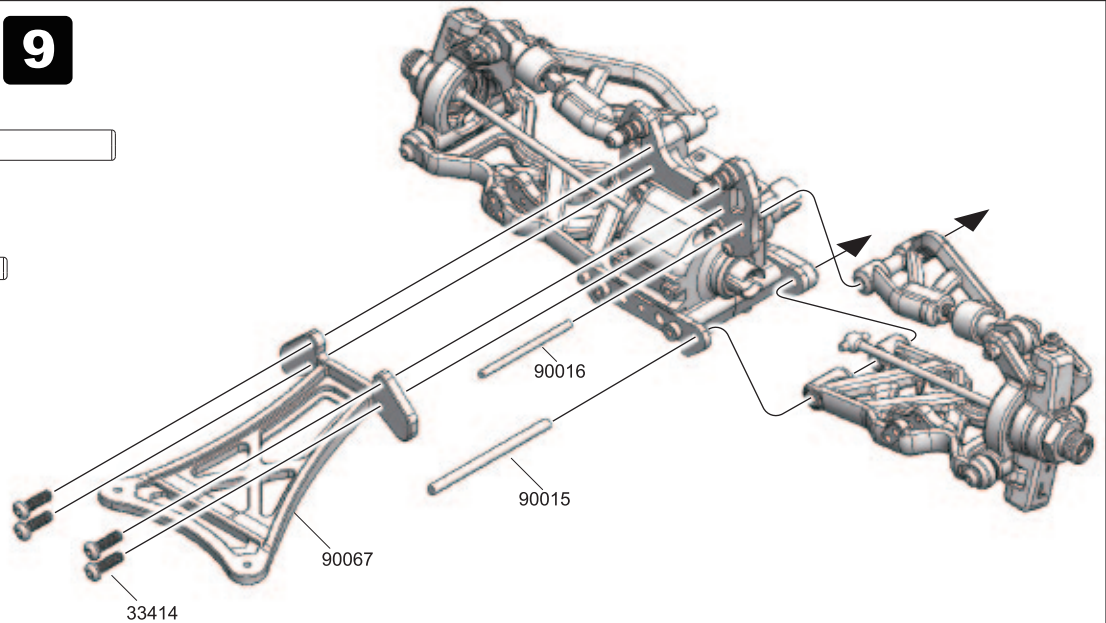
9



90015
4x63mm x2
Shaft



90016
3x48mm x2
Shaft



Front Stabilizer Assembly



90033
3x3mm x2
Set Screw

10



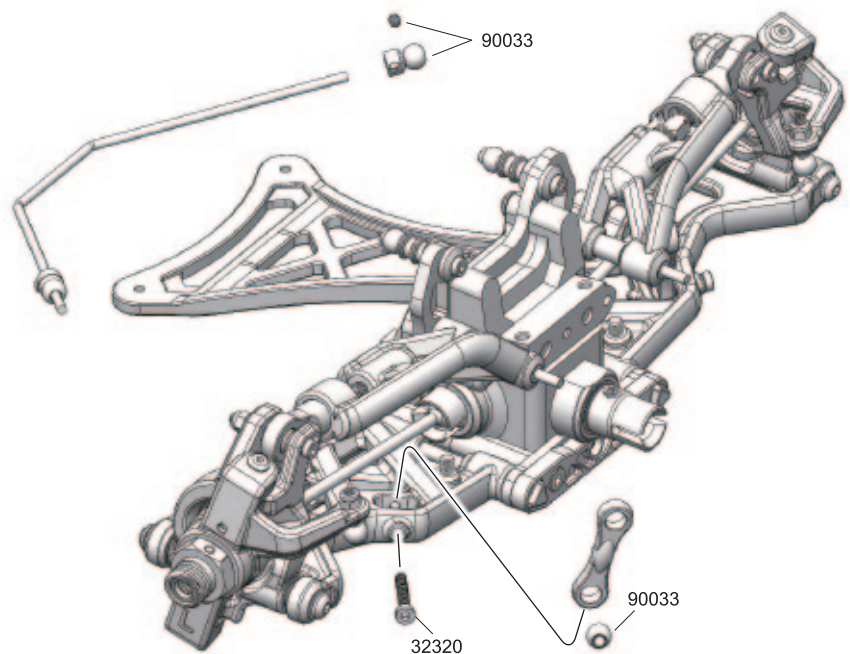
32320
3x20mm x2
Cap Screw



90033
6.8mm x2
Ball



90033
6.8mm x2
Pivot Ball

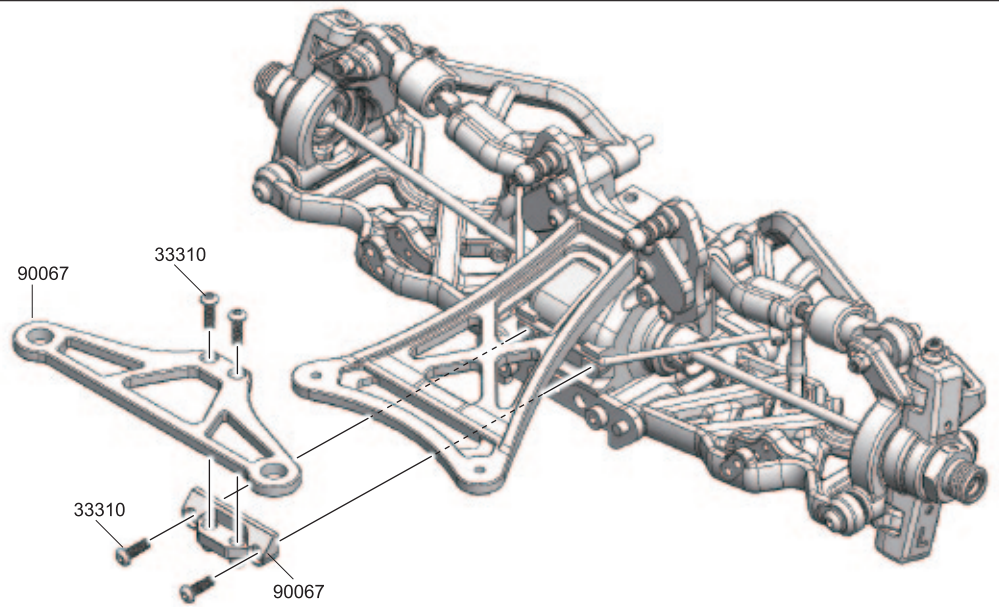


Front Bumper Assembly 1



33310
3x10mm x4
B/H Screw

11



Front Bumper Assembly 2



33310
3x10mm x2
B/H Screw

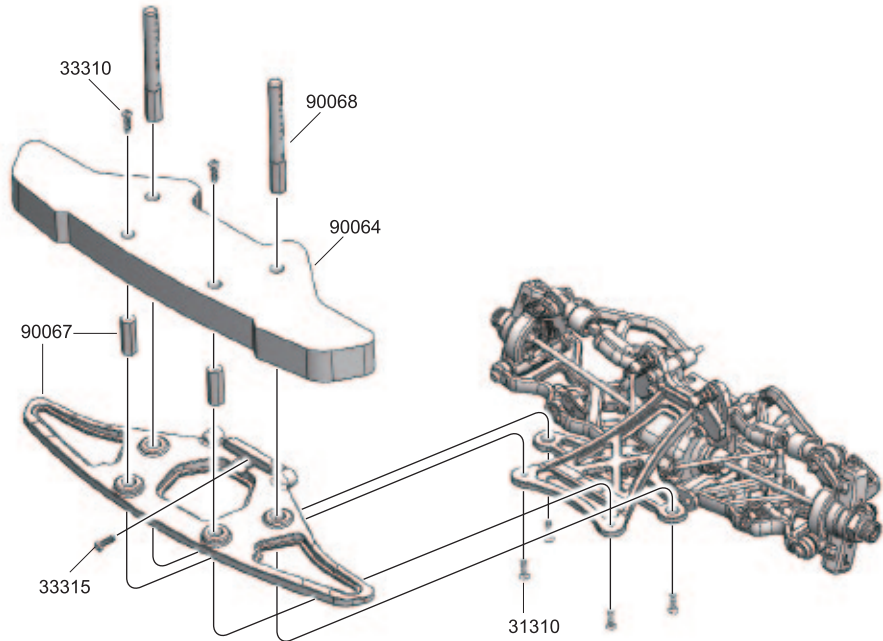
12



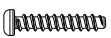
31310
3x10mm x4
F/H Screw



33315
3x15mm x1
B/H Screw

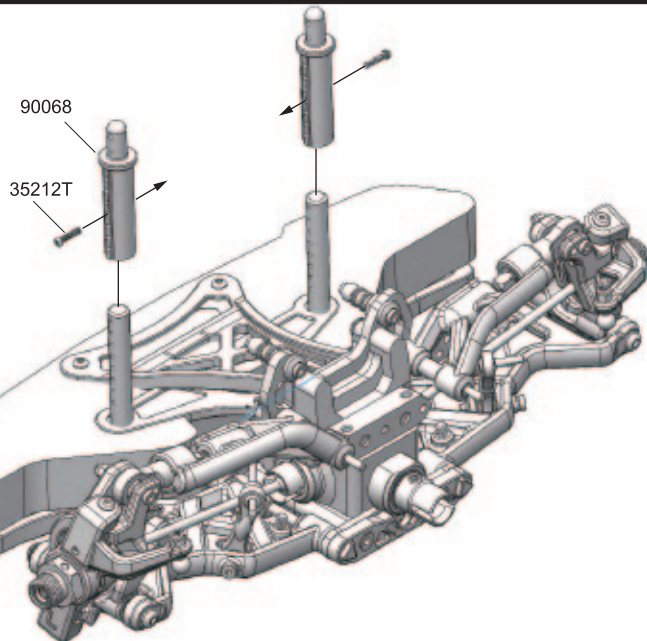


Front Body Post Assembly




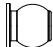


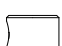


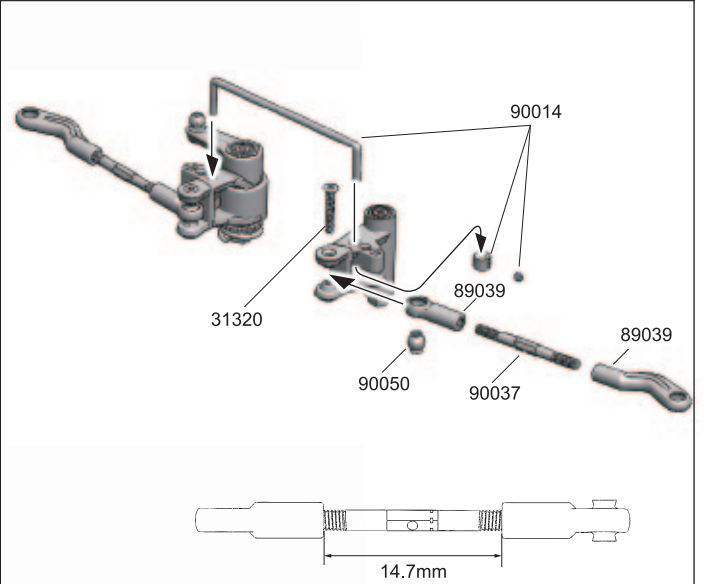
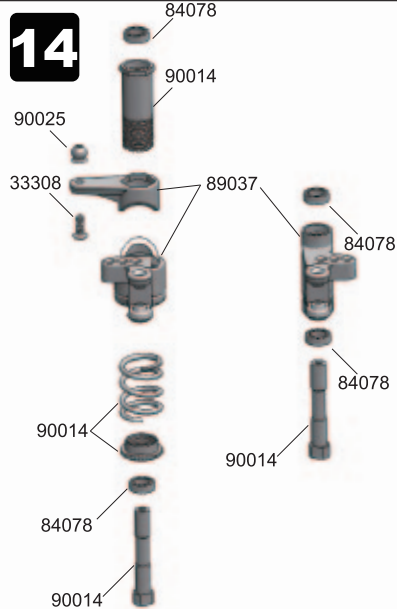
35212T
2x12mm x2
B/H Tap Screw

13





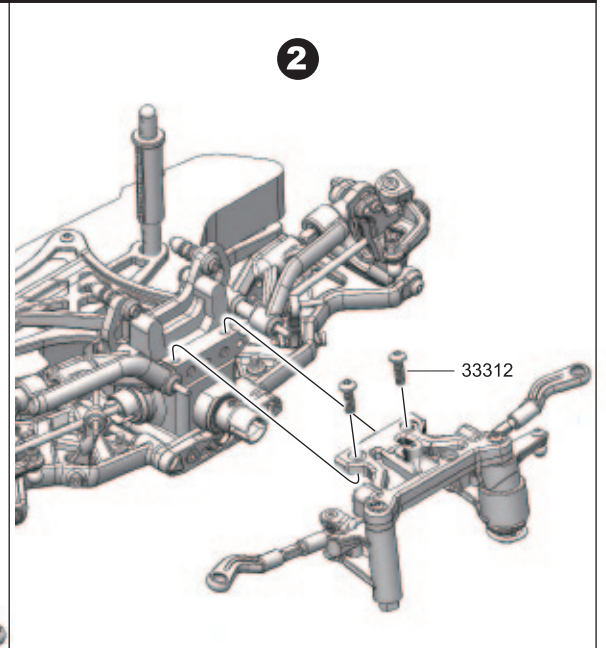
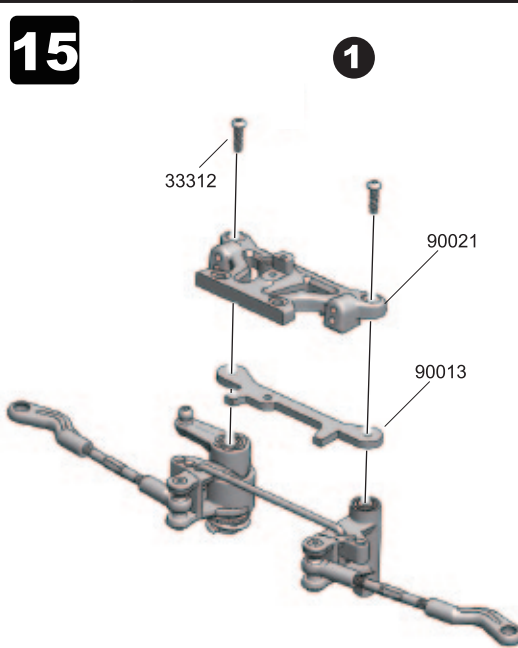
Servo Saver Assembly 1

	38303 3x3mm x2 Set Screw
	33308 3x8mm x1 B/H Screw
	31320 3x20mm x2 F/H Screw
	90025 5.8mm x1 Ball Flanged
	84078 6x10x3mm x4 Ball Bearing
	90050 Ball Flanged x2
	90014 Collet x2








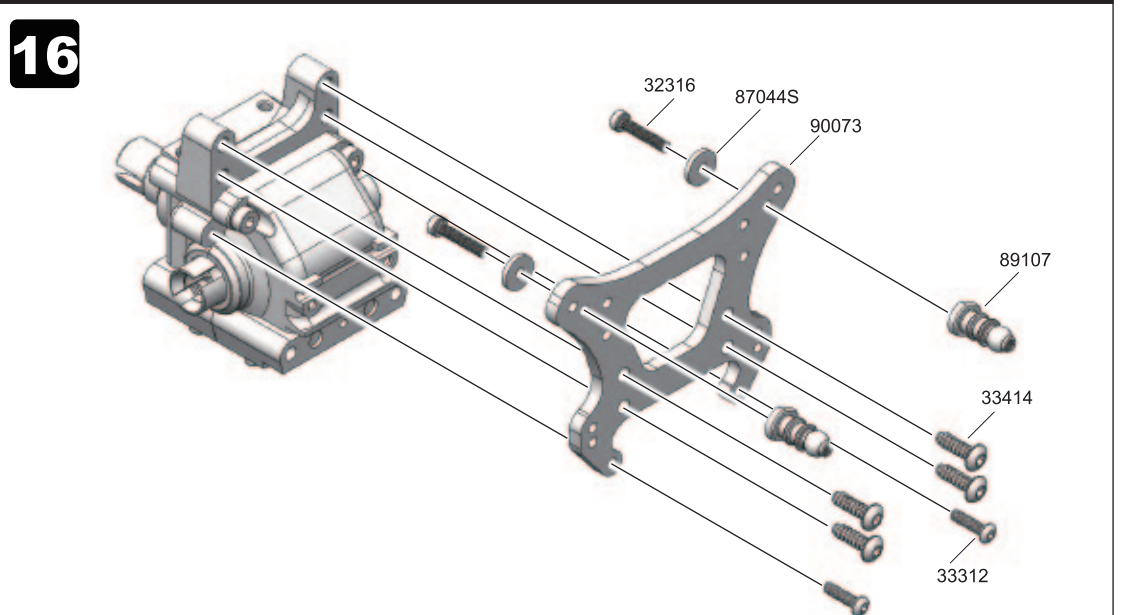
Servo Saver Assembly 2

	33312 3x12mm x2 B/H Screw
	35412 4x12mm x2 B/H Screw



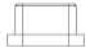


Rear Shock Tower Assembly

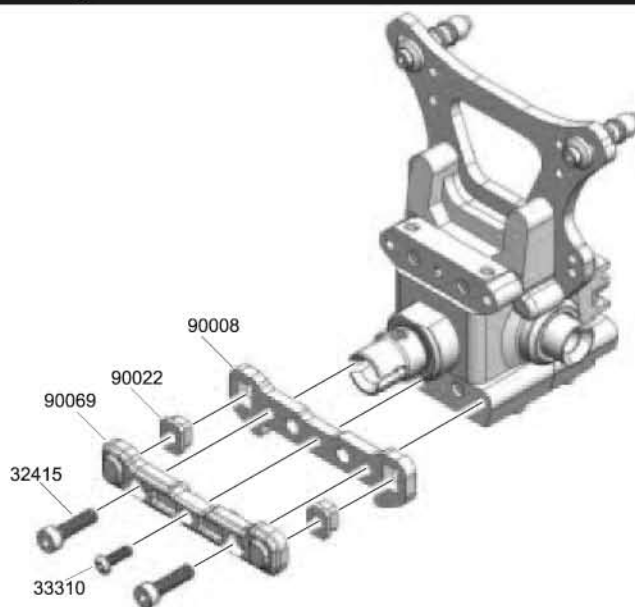
	33312 3x12mm x2 B/H Screw
	33414 4x14mm x4 B/H Screw
	32316 3x16mm x2 Cap Screw
	89107 6.8mm x2 Shock Ball Stud
	87044S 3x10mm x2 Alum. Washer






Rear Lower Arm Holder Assembly

-  33310
3x10mm x1
B/H Screw
-  32415
4x15mm x2
Cap Screw
-  90022
Adjustable Insert
x2

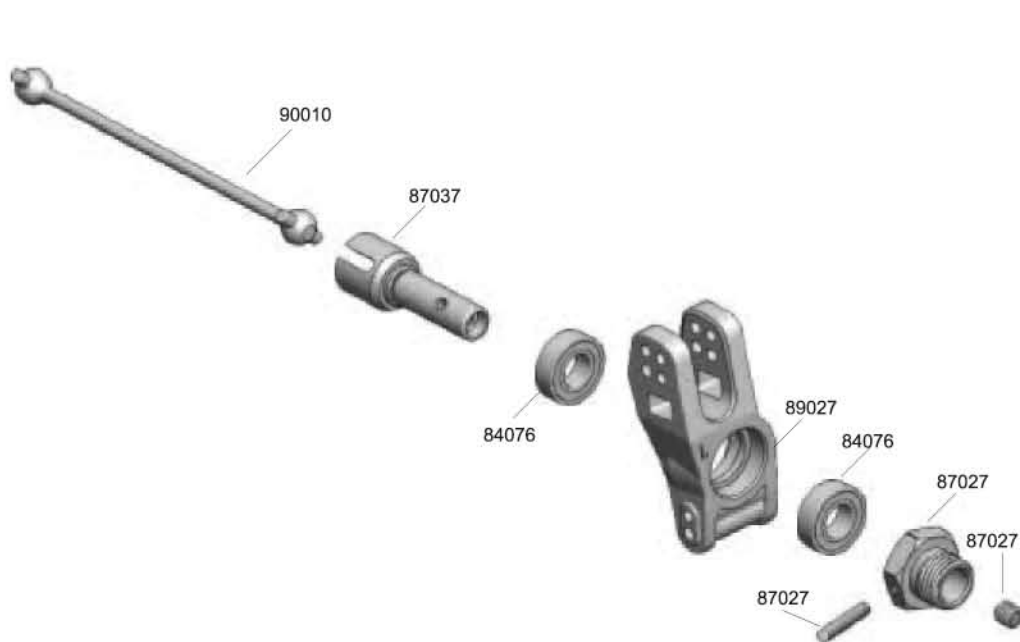
17










Rear Hub Assembly

-  87027
5x5mm x2
Set Screw
-  87027
2.5x16.8mm x2
Pin
-  84076
8x16x5mm x4
Ball Bearing

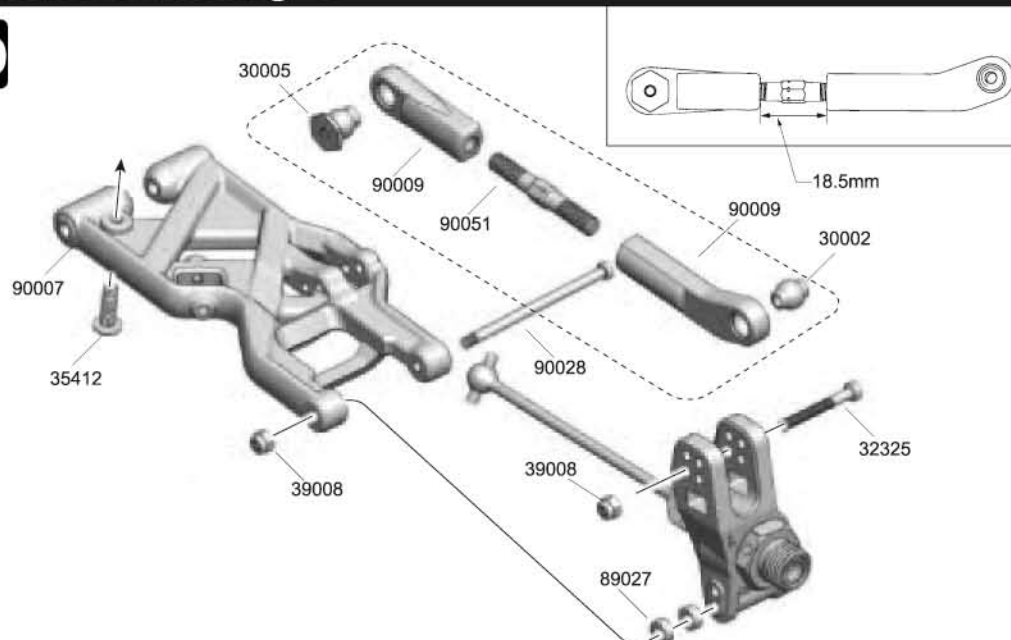
18



Rear Suspension Arm Assembly 1

-  39008
M3 Nut x2
-  30002
7.8mm x2
Ball Long
-  35412
4x12mm x2
B/H Screw
-  89027
3.1x6.5x2mm x4
Washer
-  30005
Ball Flanged x2
-  32325
3x25mm x2
Cap Screw
-  90028
3x50mm x2
Cap Screw

19



Rear Suspension Arm Assembly 2



90022
Adjustable Insert
x2

20



32316
3x16mm x2
Cap Screw



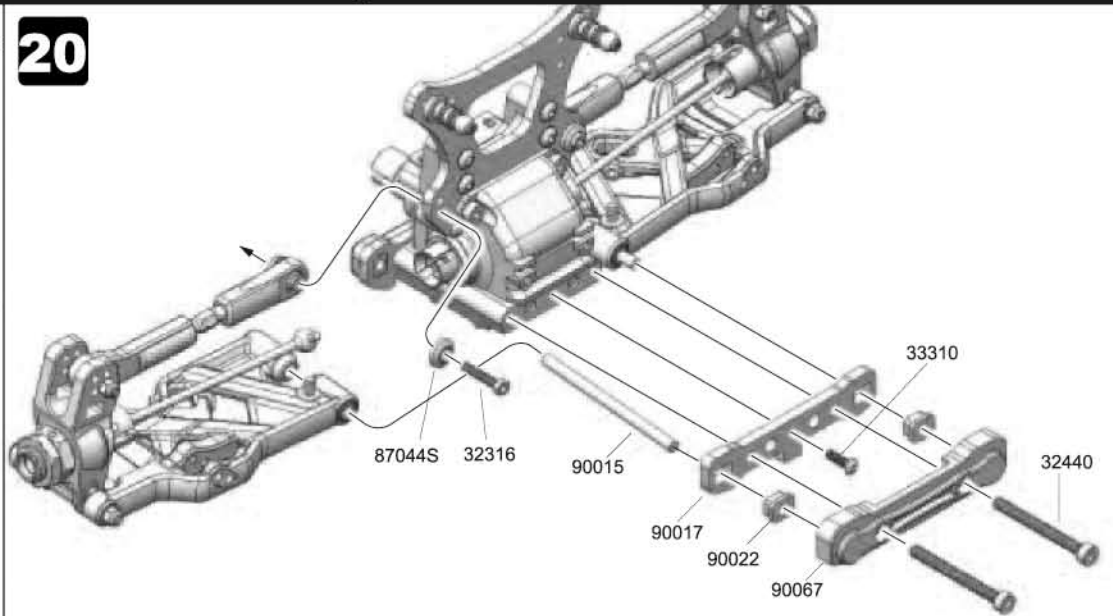
87044S
3x10mm x2
Alum. Washer



33310
3x10mm x1
B/H Screw



32440
4x40mm x2
Cap Screw



Rear Stabilizer Assembly



87044S
3x10mm x2
Alum. Washer

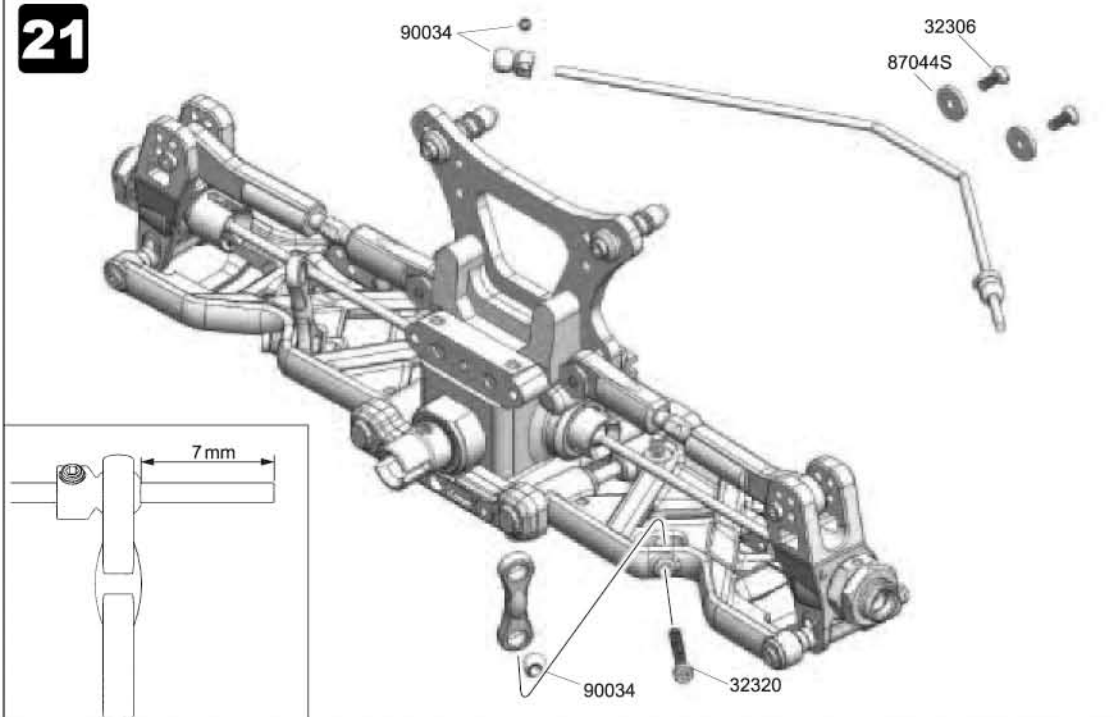
21



32306
3x6mm x2
Cap Screw



32320
3x20mm x2
Cap Screw



Rear Body Post Assembly

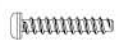


32415
4x15mm x2
Cap Screw

22



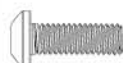
31315
3x15mm x1
F/H Screw



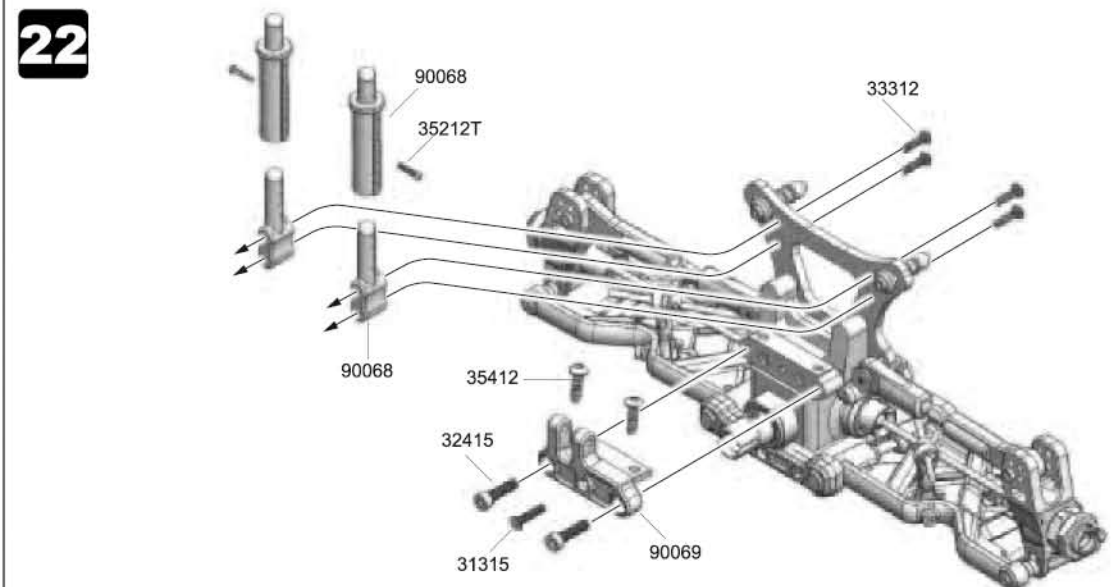
35212T
2x12mm x2
B/H Tap Screw



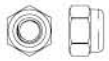
33312
3x12mm x4
B/H Screw



35412
4x12mm x2
B/H Screw



Rear Chassis Stiffener Assembly

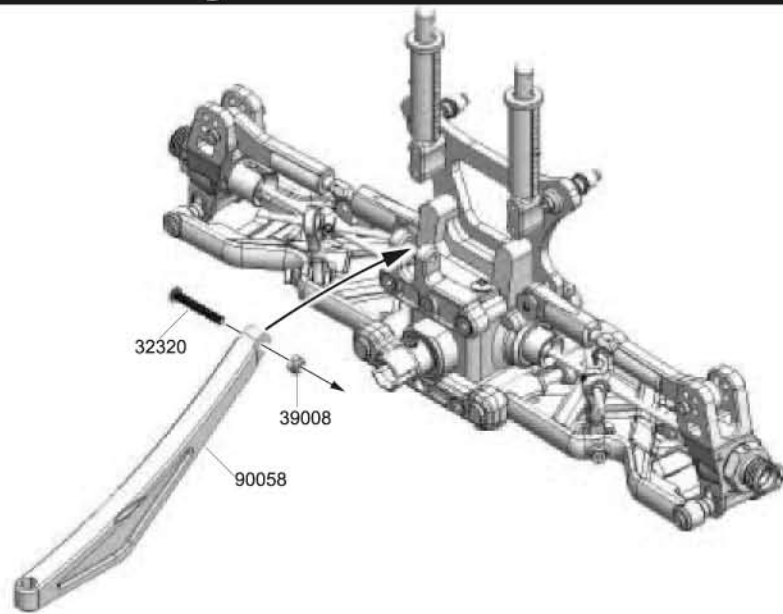


39008
M3 Nut x1

23



32320
3x20mm x1
Cap Screw



Rear Clip Assembly



39008
M3 Nut x1

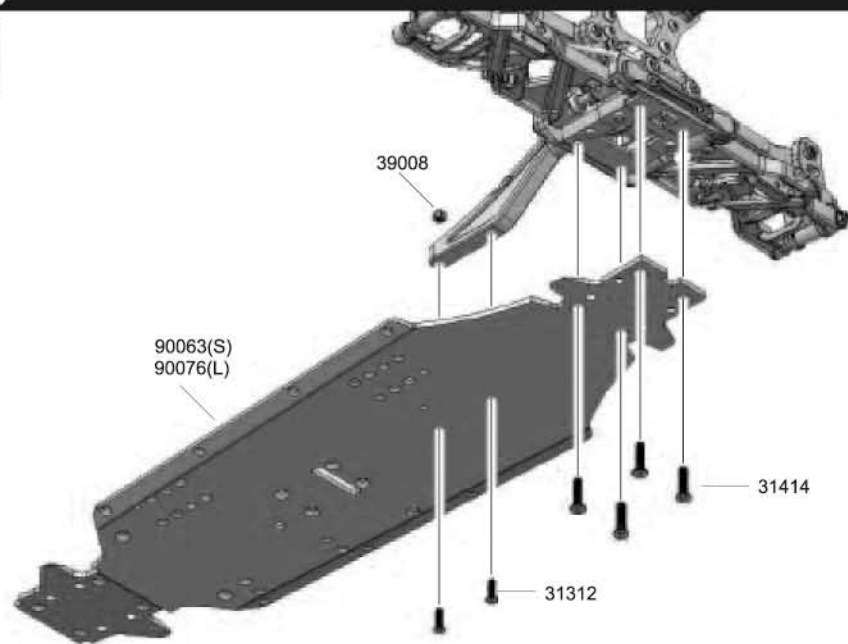
24



31312
3x12mm x2
F/H Screw



31414
4x14mm x4
F/H Screw



Front Chassis Stiffener Assembly

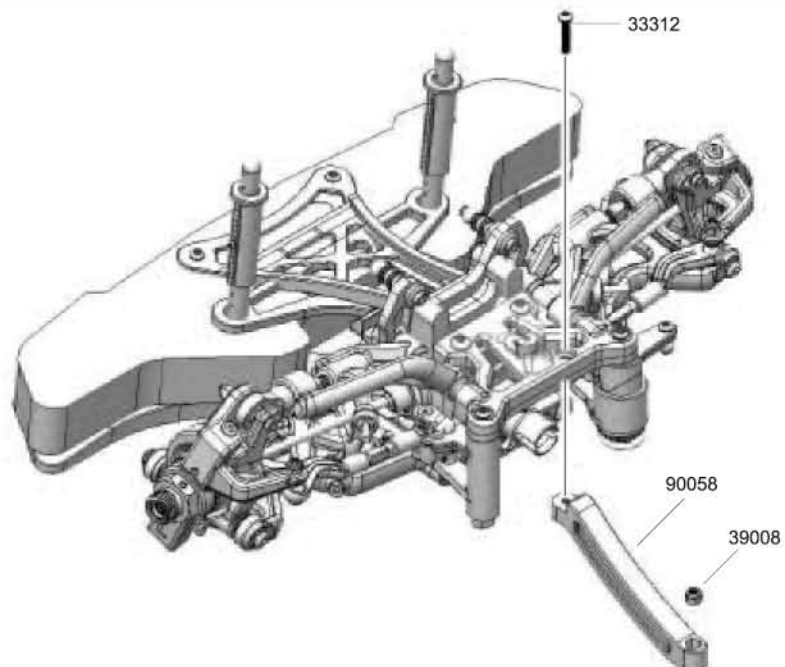


33312
3x12mm x1
B/H Screw

25



39008
M3 Nut x1



Front Clip Assembly



31410
4x10mm x2
F/H Screw

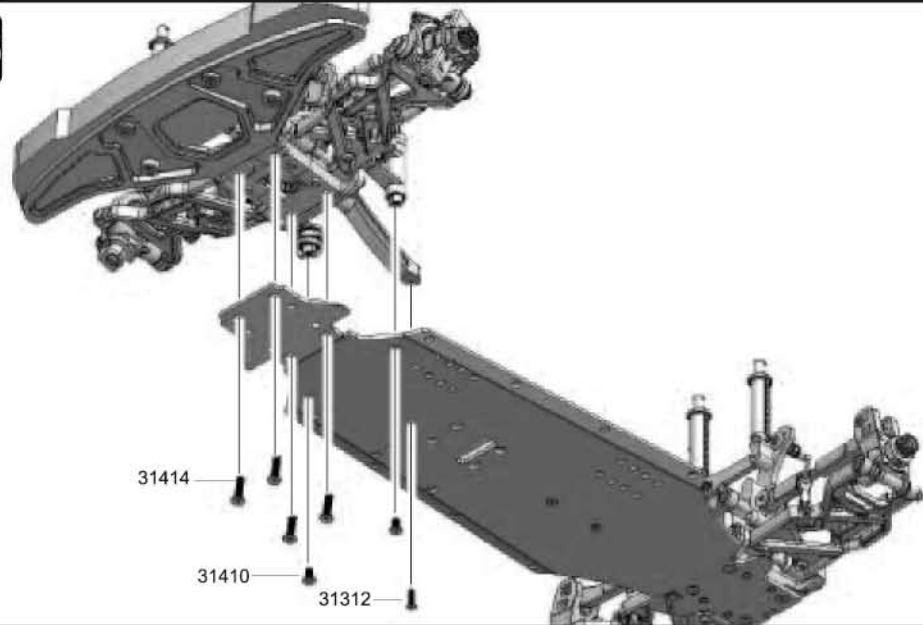


31414
4x14mm x4
F/H Screw



31312
3x12mm x1
F/H Screw

26



Center Differential/Motor Unit Assembly



38404
4x4mm x1
Set Screw



33310
3x10mm x4
B/H Screw

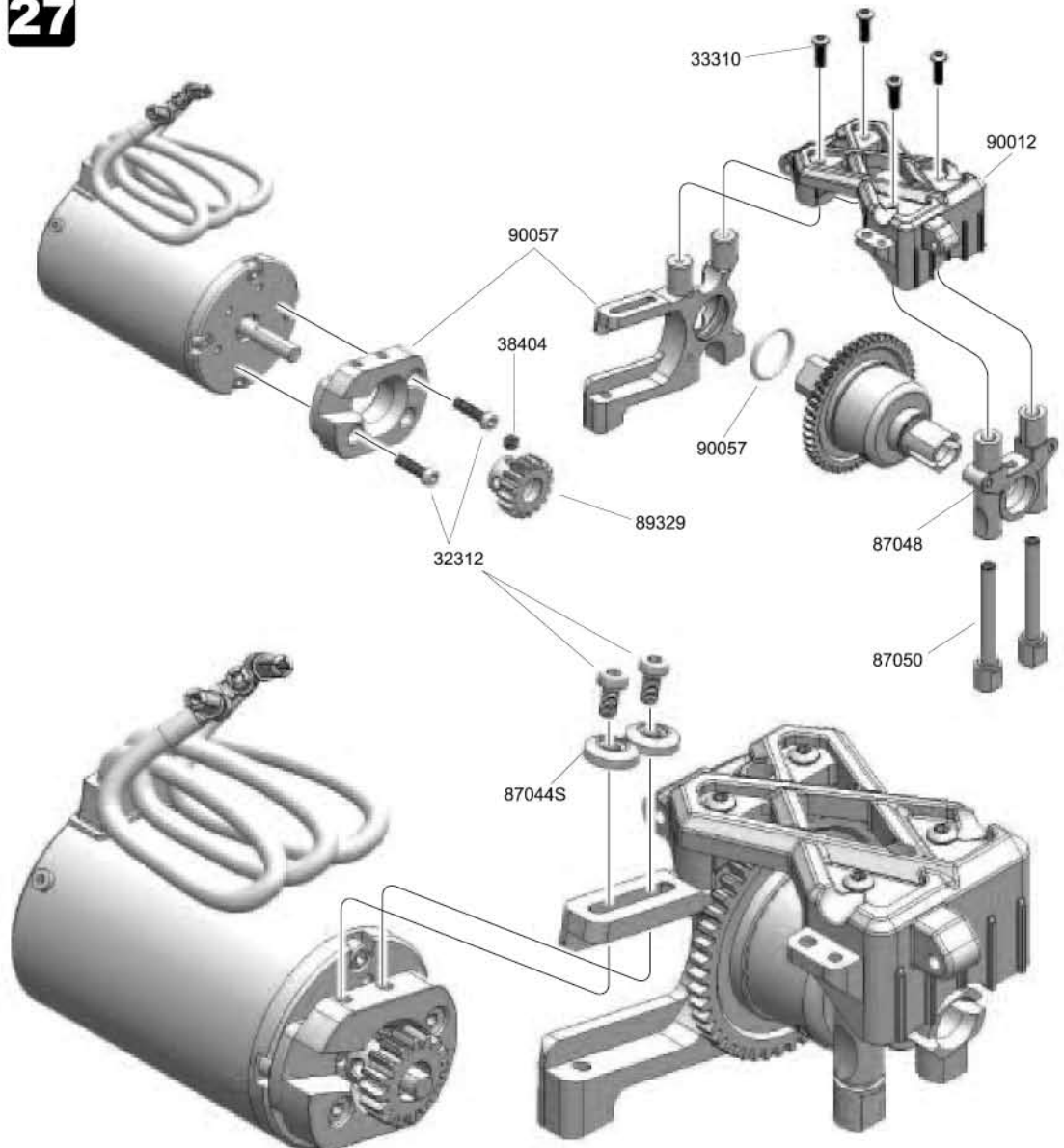


32312
3x12mm x4
Cap Screw



87044S
3x10mm x2
Alum. Washer

27

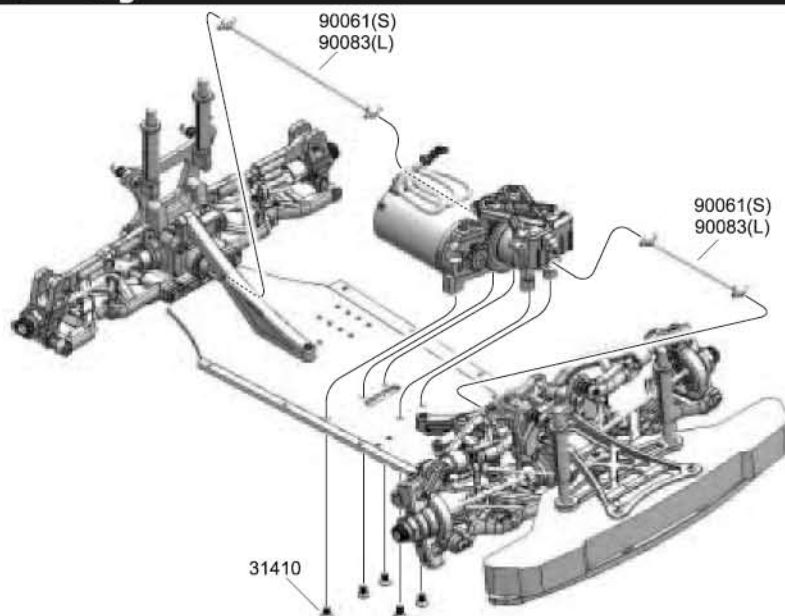


Center Drive Train Assembly



31410
4x10mm x5
F/H Screw

28



Receiver Box/Servo Mount Assembly



32308
3x8mm x1
Cap Screw

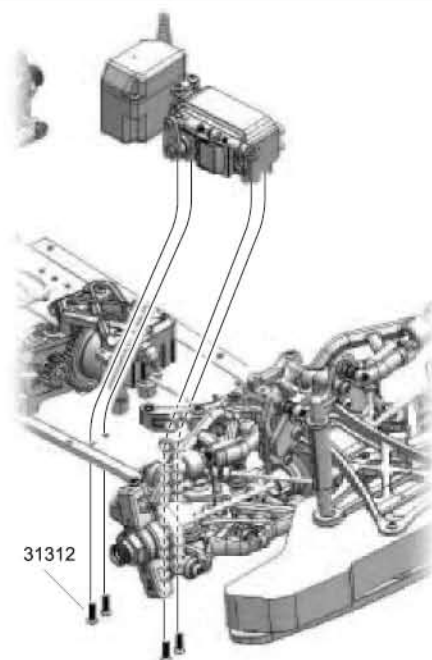
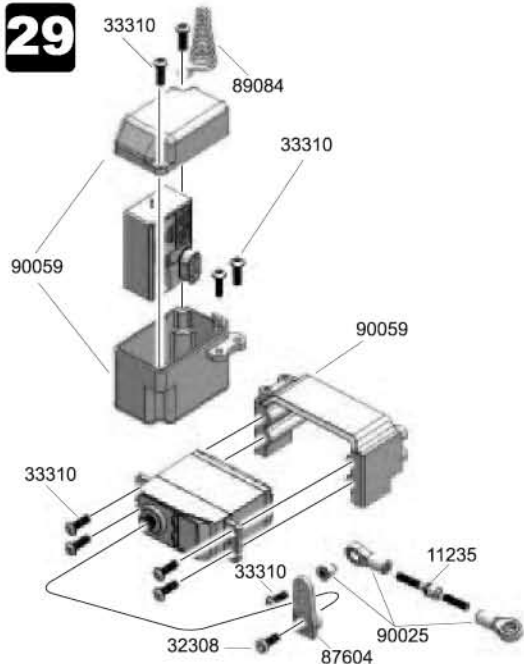
29



33310
3x10mm x9
B/H Screw



31312
3x12mm x4
F/H Screw

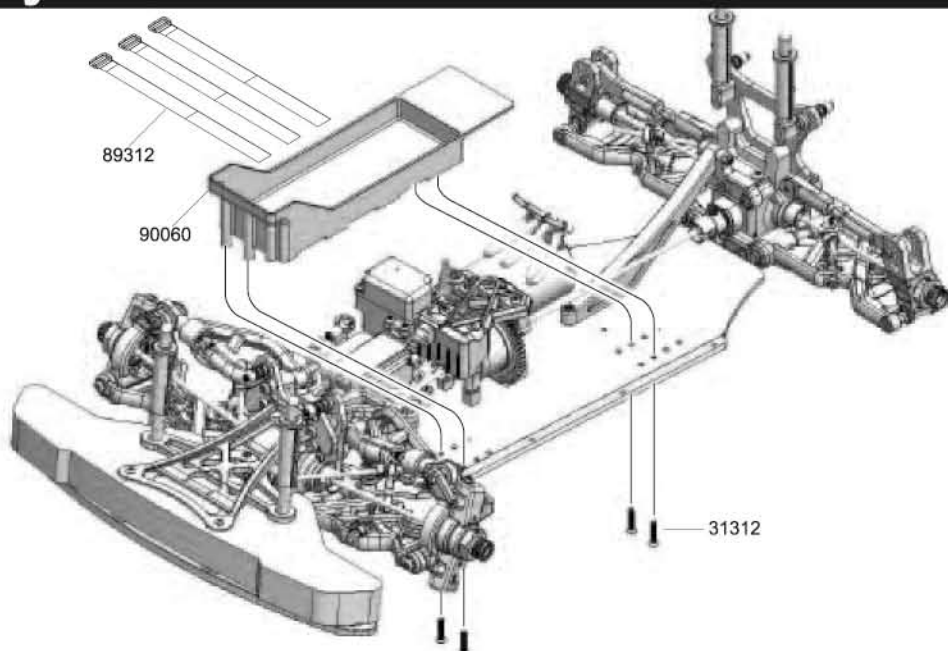


Battery Tray Assembly



31312
3x12mm x4
F/H Screw

30

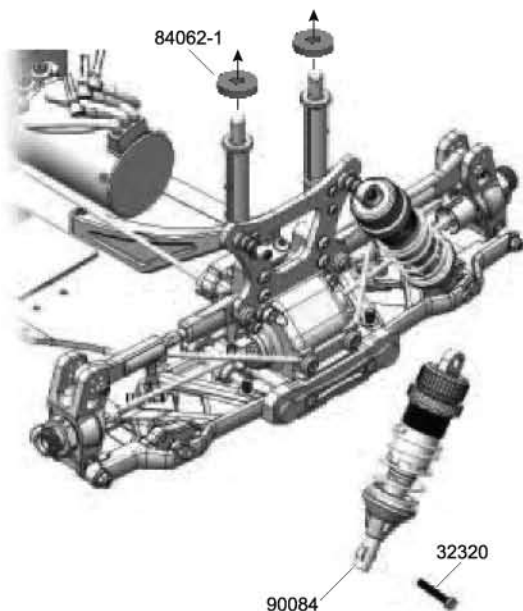
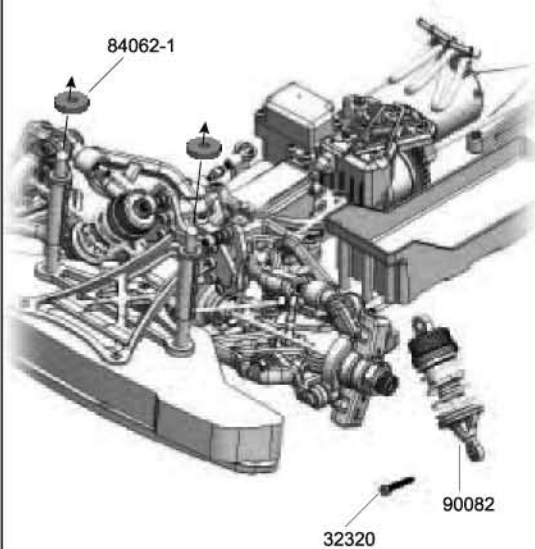


Front/Rear Shock Assembly



32320
3x20mm x4
Cap Screw

31

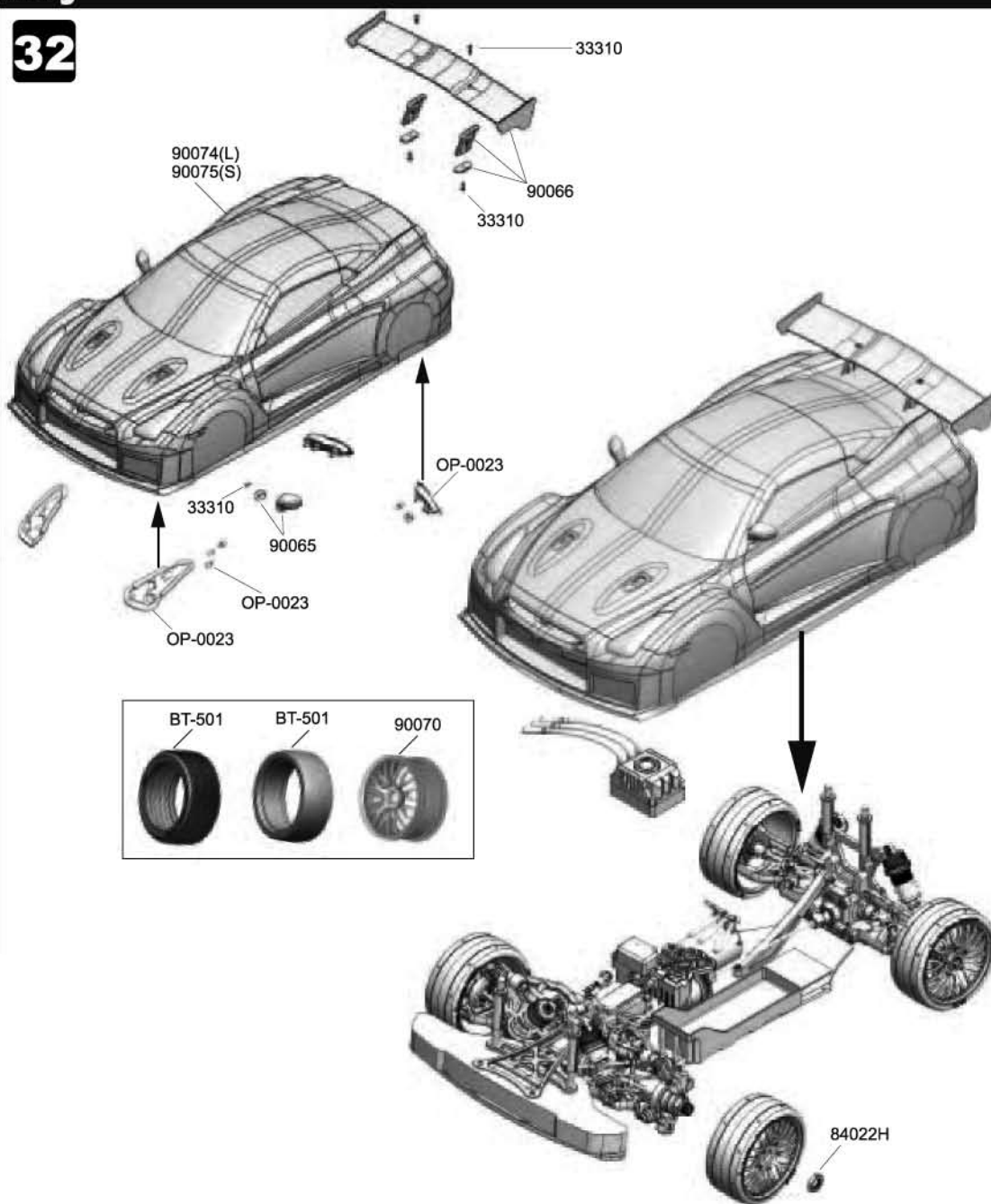


Body/Tire Assembly



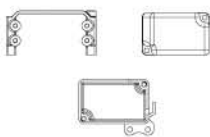

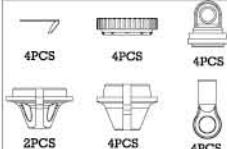


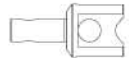
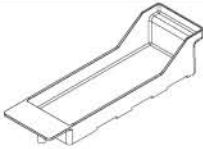
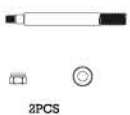




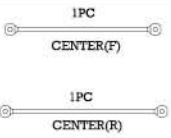
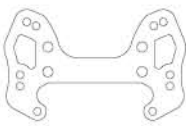


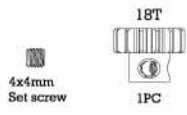
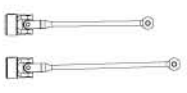
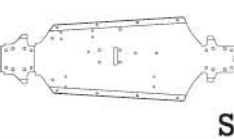

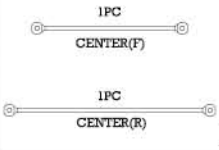

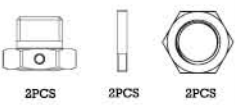
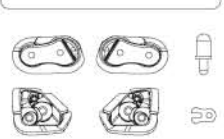
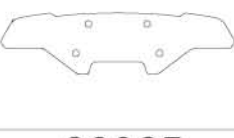
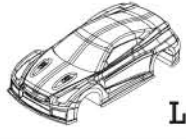


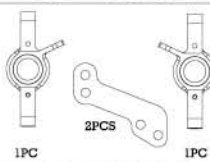
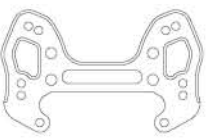
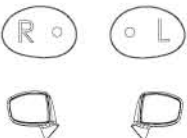



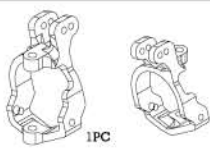

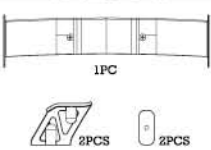
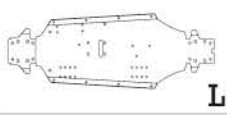
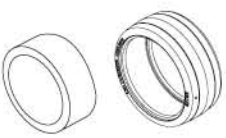

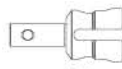

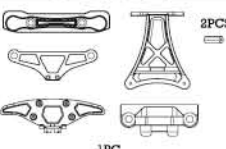





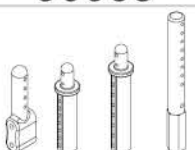



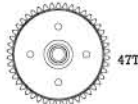
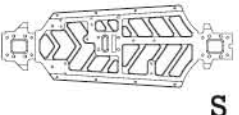


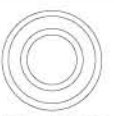
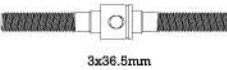

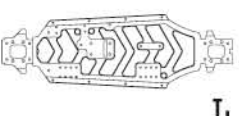
33310
3x10mm x6
B/H Screw

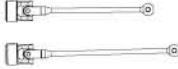
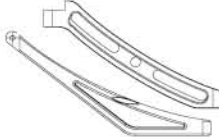

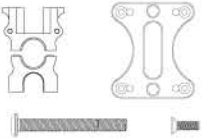
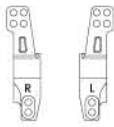
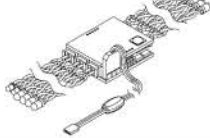

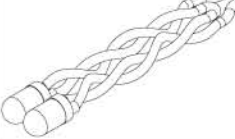
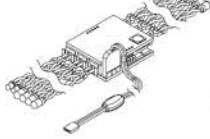

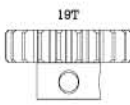

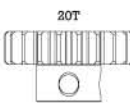
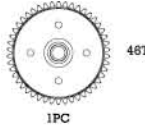
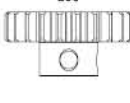
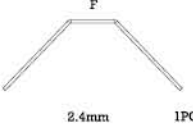
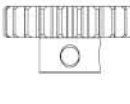
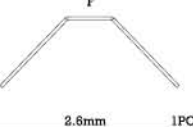
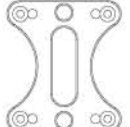
32



86001 <p>43T 5.8x1.9mm x2PCS O-ring 3x12mm x4PCS Screw 1PC</p>	87027 <p>8x5mm x2PCS Set screw 2PCS 2.5x16.8mm 2PCS</p>	89027 <p>L R 1PC 4PCS</p>	90007 <p>2PCS</p>	90021 <p>1PC 1PC</p>	90037 <p>M4x40mm 2PCS</p>
86002 <p>11T 1PC</p>	87027-1 <p>2.5x16.8mm 4PCS</p>	89037 <p>1PC</p>	90008 <p>R(F) 1PC</p>	90022 <p>4PCS 4PCS</p>	90038 <p>M3x8 4PCS</p>
87002 <p>2PCS 2PCS 4PCS 4PCS</p>	87037 <p>2PCS</p>	89039 <p>1PC 6.8mm</p>	90009 <p>2PCS 2PCS</p>	90025 <p>2PCS 2PCS</p>	90045 <p>2PCS</p>
87003 <p>2PCS</p>	87044S <p>3x10mm 10PCS</p>	89084 <p>1PC 3x10mm Screw 3x8mm Screw</p>	90010 <p>2PCS</p>	90028 <p>3x50mm 2PCS</p>	90048 <p>4PCS</p>
87004 <p>1PC 4x4mm Set screw 1PC</p>	87048 <p>2PCS</p>	89107 <p>6.8mm 4PCS</p>	90012 <p>1PC 1PC</p>	90030 <p>2PCS</p>	90050 <p>2PCS</p>
87005-1 <p>6.2x13.9x0.3mm 6PCS</p>	87050 <p>2PCS</p>	90001 <p>2PCS</p>	90013 <p>1PC</p>	90032 <p>L R 2PCS</p>	90051 <p>5x38mm 2PCS</p>
87006 <p>2PCS</p>	87330 <p>5x31mm 2PCS</p>	90002 <p>1PC</p>	90014 <p>74mm 1PC 1PC 2PCS 2PCS 1PC 1PC 3x3mm X2 Set screw</p>	90033 <p>F 1PC 2.5mm 2PCS 2PCS 6.8mm x2 3x3mm x2 Set screw</p>	90052 <p>2PCS</p>
87018 <p>4PCS</p>	87338 <p>48T 1PC</p>	90004 <p>L R 4PCS</p>	90015 <p>4x63mm 2PCS</p>	90034 <p>R 1PC 2.8mm 2PCS 2PCS 6.8mm x2 3x3mm x2 Set screw</p>	90053 <p>2PCS</p>
87021 <p>2PCS 5x4mm Set screw 2PCS</p>	87356-1 <p>2.5mm 1PC</p>	90005 <p>4PCS 4x18mm x4PCS screw</p>	90016 <p>3x48mm 2PCS</p>	90035 <p>3.5x101.5mm 2PCS</p>	90057
87023 <p>1PC 1PC 4x40mm x2PCS screw 4x18mm x2PCS screw</p>	87604 <p>1PC</p>	90006 <p>L R 1PC 1PC</p>	90017 <p>R(R) 1PC</p>	90036 <p>5PCS 5PCS 10PCS</p>	90058

TOURING CAR

90059 	90070 	90080 	84078  <p>6x10mmx3 x4PCS</p>	22115  <p>12x18x4mm</p>	OP-0014  <p>2PCS</p>
90060 	90071  <p>2PCS</p>	90081  <p>2PCS 2PCS</p>	30002  <p>7.8mm x4PCS</p>	89312  <p>6PCS</p>	OP-0019  <p>94mm 84mm 74mm</p>
90061  <p>1PC CENTER(F) 1PC CENTER(R)</p>	90072 	90082  <p>2PCS</p>	30003  <p>6PCS</p>	89329  <p>4x4mm Set screw 18T 1PC</p>	OP-0021  <p>1PC</p>
90063  <p>S</p>	90073 	90083  <p>1PC CENTER(F) 1PC CENTER(R)</p>	30004  <p>6.8mm x4PCS</p>	OP-0001  <p>2PCS 2PCS 2PCS</p>	OP-0023 
90064  <p>S</p>	90074  <p>L</p>	90084  <p>2PCS</p>	30005  <p>7.8mm x4PCS</p>	OP-0002  <p>1PC 2PCS 1PC</p>	OP-0024 
90065  <p>R L</p>	90075  <p>S</p>	90091  <p>4PCS</p>	36001  <p>2.5x13.8mm x4pcs</p>	OP-0003  <p>1PC</p>	OP-0025 
90066  <p>1PC 2PCS 2PCS</p>	90076  <p>L</p>	BT-501 	36101  <p>5.8x1.9mm x10pcs O-ring</p>	OP-0004  <p>2PCS</p>	OP-0026  <p>L</p>
90067  <p>2PCS 1PC</p>	90077  <p>2PCS</p>	84022H  <p>4PCS</p>	36102  <p>22x0.9mm x5pcs O-ring</p>	OP-0006  <p>2PCS</p>	OP-0027  <p>S</p>
90068 	90078  <p>2PCS</p>	84062-1  <p>10PCS</p>	39008  <p>M3 x 10PCS</p>	OP-0007  <p>4T 2PCS</p>	OP-0028  <p>S</p>
90069  <p>1PC 1PC</p>	90079  <p>2PCS</p>	84076  <p>6x16mmx5 x4PCS</p>	11235  <p>3x36.5mm 2PCS</p>	OP-0009  <p>2PCS</p>	OP-0029  <p>L</p>

OP-0030	OP-0050	87356			
					
OP-0032	OP-0052	89147			
					
OP-0033	OP-0053	89635			
					
OP-0034	OP-0054				
					
OP-0035	OP-0055				
					
OP-0036	OP-0056				
					
OP-0037	87005				
					
OP-0038	87329				
					
OP-0039	87329-2				
					
OP-0049	87329-3				
					

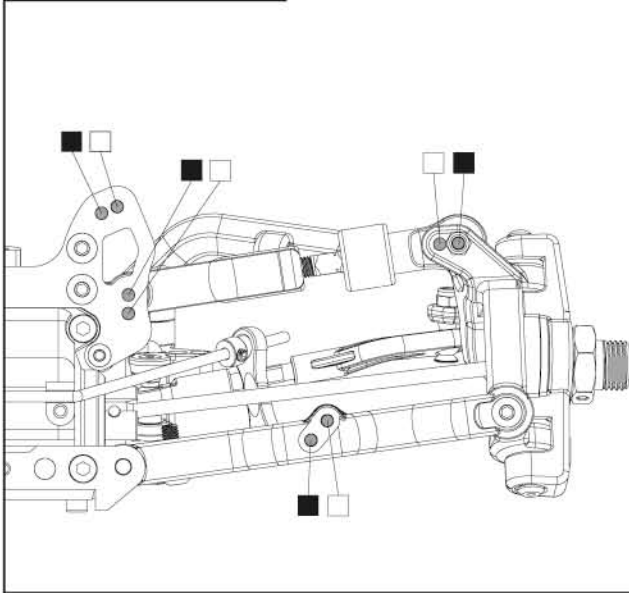
GTB

Setup Sheet

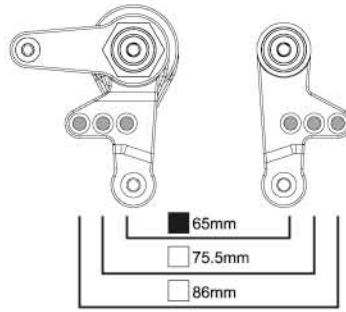
Driver : _____ Track : _____ Event : _____

Date : _____ Track Condition : _____

Front Suspension

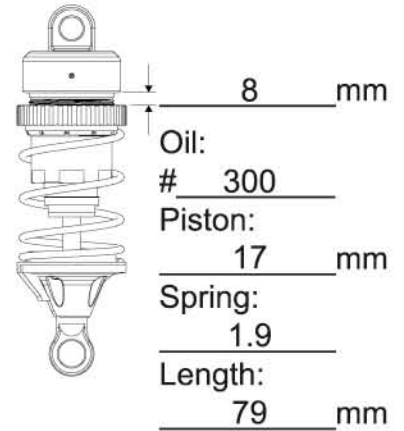


Ackerman

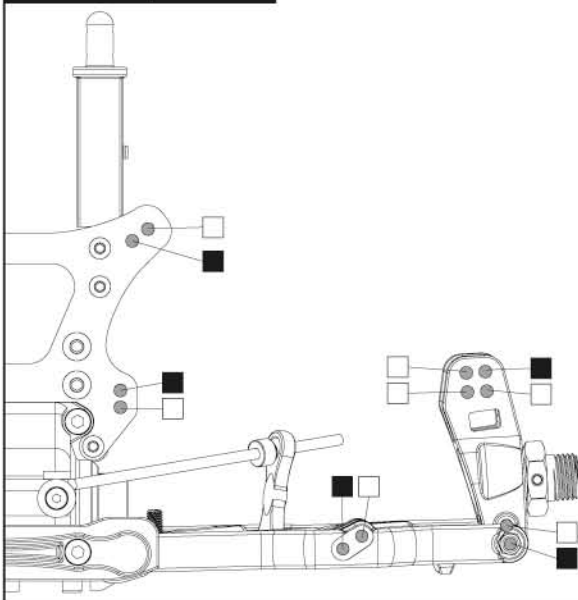


Toe: _____ 1 °
 Caster: _____ 20 °
 Camber: _____ -2 °
 Anti-roll bar: _____ 2.5 mm
 Ride height: _____ 20 mm
 Droop: _____ mm

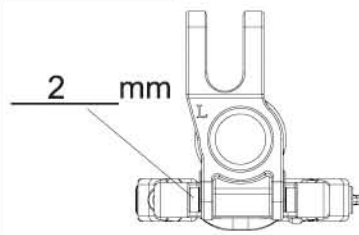
Front Shock



Rear Suspension



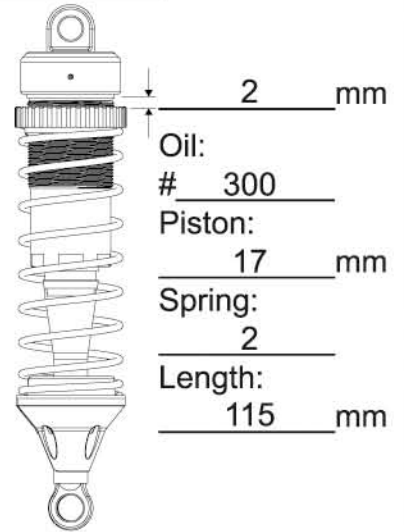
Wheelbase



Toe: _____ -3 °
 Camber: _____ -2 °
 Anti-roll bar: _____ 2.8 mm
 Ride height: _____ 20 mm
 Droop: _____ mm

Anti-squat: 1° 2° 3°

Rear Shock



Power

Motor: _____
 ESC: _____
 Pinion: _____
 Spur: _____
 Battery: _____

Tires

	Front	Rear
Brand:	_____	_____
Compound:	_____	_____
Insert:	_____	_____
Wheel:	_____	_____

Differentials

Front: # _____ Standard Spider
 Center: # _____ Standard Spider
 Rear: # _____ Standard Spider

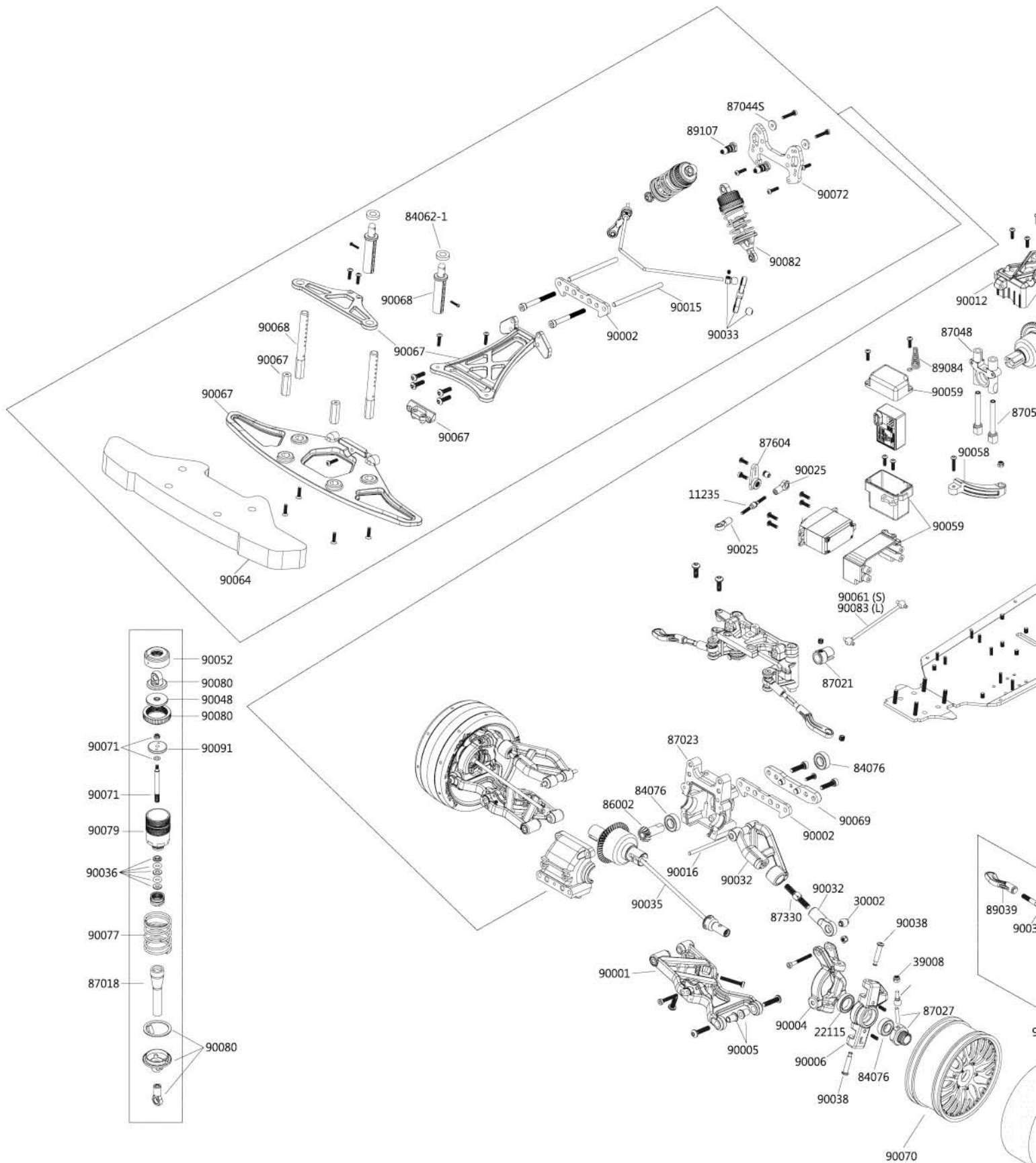
Notes

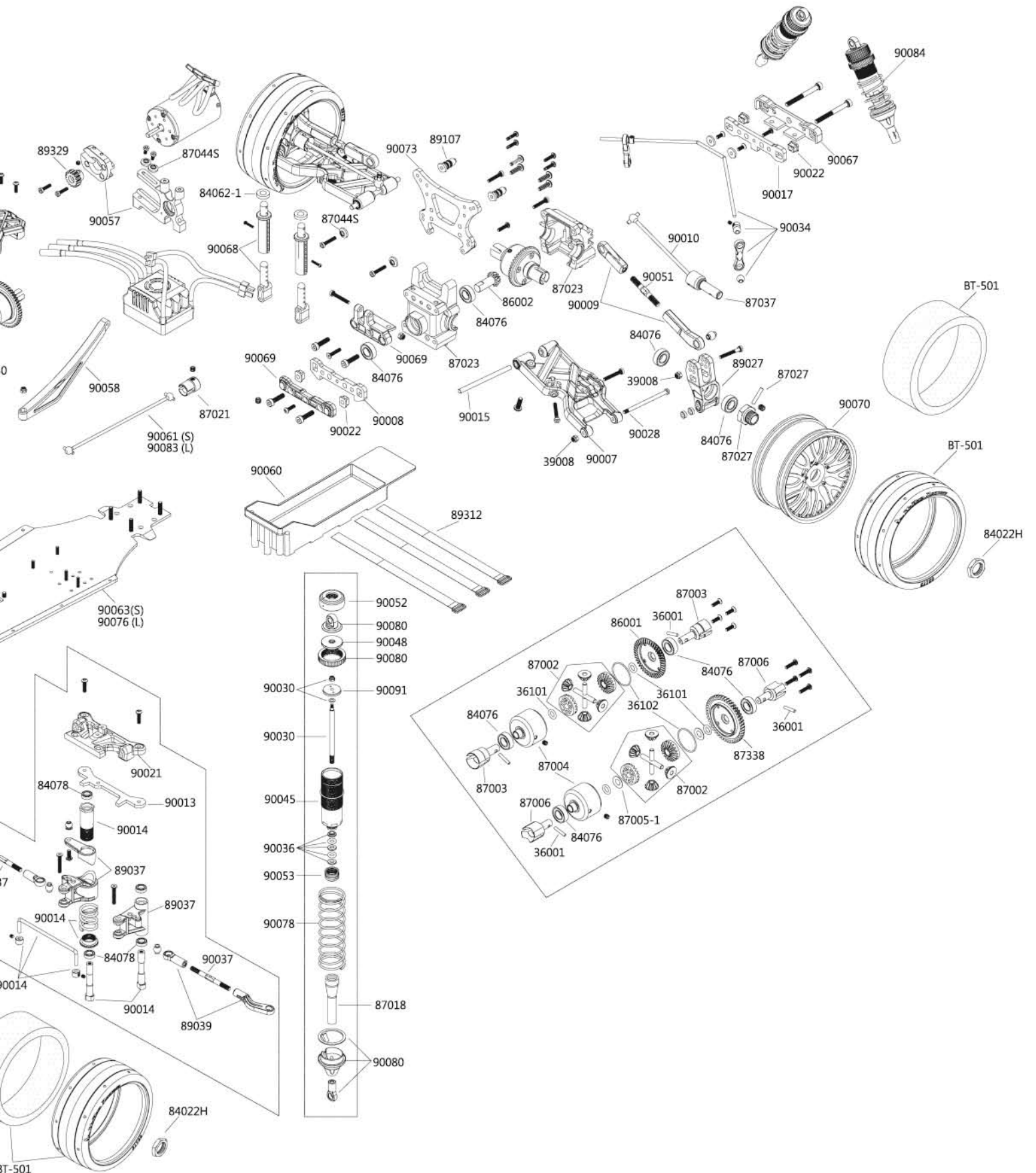
ESC Setup

Brake: _____
 Drag Brake: _____
 Cut-off Volt.: _____
 Punch: _____
 Timing: _____
 Throttle Limit: _____



GTB EP





STANDARD PARTS					
		90025	BALL END/BALL FLANGED 5.8MM	90091	SHOCK PISTON
86001	CROWN GEAR 43T	90028	SCREW M3x50MM	BT-501	TIRE WITH INSERT
86002	DIFFERENTIAL PINION GEAR 11T	90030	FRONT SHOCK SHAFT (REAR SHOCK SHAFT FOR GTB)	84022H	WHEEL HEX NUT
87002	BEVEL GEAR SET	90032	FRONT UPPER ARM SET	84062-1	BODY FOAM SPACER
87003	DIFFERENTIAL OUTDRIVE CUP	90033	FRONT STABILIZER SET	84076	BEARING 8x16x5MM
87004	DIFFERENTIAL CASE	90034	REAR STABILIZER SET	84078	BEARING 6x10x3MM
87005-1	SPACER 6.2x13.9x0.3MM	90035	CVD SHAFT	30002	BALL LONG 7.8MM
87006	CENTER DIFFERENTIAL OUTDRIVE CUP	90036	SHOCK ABSORBER REPAIR SET	30003	STEERING BALL 6.8MM
87018	SHOCK BOOTS	90037	TURNBUCKLE 4x40MM	30004	BALL 6.8MM
87021	OUTDRIVE CUP	90038	HINGE PIN	30005	BALL FLANGED 7.8MM
87023	GEAR BOX	90045	FRONT SHOCK BODY (REAR SHOCK BODY FOR GTB)	36001	PIN 2.5x13.8MM
87027	WHEEL HUB SET	90048	SHOCK BLADDER	36101	O-RING 5.8x1.9MM
87027-1	PIN 2.5x16.8MM	90050	BALL FLANGED 6.8MM	36102	O-RING 22x0.9MM
87037	AXLE CUP	90051	TURNBUCKLE 5x38MM	39008	M3 NYLON NUT
87044S	ALUM COLLAR	90052	SHOCK CAP TOP	11235	TURNBUCKLE 3x36.5MM
87048	CENTER DIFFERENTIAL MOUNT	90053	SHOCK CAP BOTTOM	22115	BEARING 12x18x4MM
87050	CENTER DIFFERENTIAL MOUNT POST	90057	MOTOR MOUNT	89312	MAGIC STRIP
87330	TURNBUCKLE M5x31	90058	FRONT/REAR CHASSIS STIFFENER SET	89329	1/8 BRUSHLESS MOTOR GEAR - 18T - 5MM
87338	CENTER SPUR GEAR 48T	90059	RECEIVER BOX & SERVO MOUNT		
87356-1	FRONT ANTI-ROLL BAR 2.5MM	90060	BATTERY TRAY		
87604	SERVO HORN	90061	FRONT/REAR CENTER DRIVE SHAFT SET - S		
89027	REAR HUB SET	90063	CHASSIS - SHORT		
89037	SERVO SAVER ARM SET	90064	FRONT BUMPER FOAM		
89039	NYLON STEERING BALL END 6.8MM	90065	SIDE MIRROR		
89084	ANTENNA PIPE AND POST	90066	REAR SPOILER		
89107	SHOCK BALL STUD 6.8MM	90067	BUMPER SET		
90001	FRONT LOWER ARM SET	90068	BODY POST		
90002	FRONT LOWER ALUM ARM HOLDER - A PLATE	90069	FRONT/REAR LOWER NYLON ARM HOLDER - C PLATE		
90004	L/R C-HUB SET	90070	WHEEL		
90005	C-HUB BUSHING	90071	FRONT SHOCK SHAFT		
90006	STEERING KNUCKLE SET	90072	FRONT SHOCK TOWER		
90007	REAR LOWER ARM SET	90073	REAR SHOCK TOWER		
90008	REAR LOWER ALUM ARM HOLDER - A PLATE	90074	BODY - LONG		
90009	REAR SUSPENSION ARM BALL END 7.8MM	90075	BODY - SHORT		
90010	AXLE	90076	CHASSIS - LONG		
90012	CENTER DIFFERENTIAL TOP PLATE/AIR FILTER HOLDER	90077	FRONT SHOCK SPRING		
90013	FRONT ALUM TOP PLATE	90078	REAR SHOCK SPRING		
90014	SERVO SAVER SET	90079	FRONT SHOCK BODY		
90015	PIN 4x63MM	90080	SHOCK NYLON SET		
90016	PIN 3x48MM	90081	FRONT/REAR SHOCK SET		
90017	REAR LOWER ALUM ARM HOLDER - B PLATE	90082	FRONT SHOCK SET		
90021	FRONT TOP PLATE HOLDER	90083	FRONT/REAR CENTER DRIVE SHAFT SET - L		
90022	ADJUSTABLE INSERT SET	90084	REAR SHOCK SET		

SCREWS		OPTIONAL PARTS	
31310	M3 X 10 FLAT HEAD SCREW	OP-0001	WHEEL HEX
31312	M3 X 12 FLAT HEAD SCREW	OP-0002	CNC STEERING KNUCKLE SET
31315	M3 X 15 FLAT HEAD SCREW	OP-0003	CNC L/R C-HUB SET
31317	M3 X 17 FLAT HEAD SCREW	OP-0004	LIGHT WEIGHT DIFFERENTIAL OUTDRIVE CUP
31318	M3 X 18 FLAT HEAD SCREW	OP-0006	CNC CENTER DIFFERENTIAL MOUNT
31320	M3 X 20 FLAT HEAD SCREW	OP-0007	CENTER SPUR GEAR 47T
31410	M4 X 10 FLAT HEAD SCREW	OP-0009	REAR UNIVERSAL DRIVE SHAFT
31414	M4 X 14 FLAT HEAD SCREW	OP-0014	LIGHT WEIGHT CENTER DIFFERENTIAL OUTDRIVE CUP
32306	M3 X 6 CAP HEAD SCREW	OP-0019	ACKERMAN ROD SET
32308	M3 X 8 CAP HEAD SCREW	OP-0021	CENTER UNIVERSAL DRIVE SHAFT SET-SHORT
32312	M3 X 12 CAP HEAD SCREW	OP-0023	LED LIGHT HOUSING
32316	M3 X 16 CAP HEAD SCREW	OP-0024	CNC LIGHT WEIGHT FRONT SHOCK TOWER
32320	M3 X 20 CAP HEAD SCREW	OP-0025	CNC LIGHT WEIGHT REAR SHOCK TOWER
32325	M3 X 25 CAP HEAD SCREW	OP-0026	CLEAR BODY -LONG
32415	M4 X 15 CAP HEAD SCREW	OP-0027	CLEAR BODY -SHORT
32440	M4 X 40 CAP HEAD SCREW	OP-0028	CNC LIGHT WEIGHT CHASSIS -SHORT
33308	M3 X 8 BUTTON HEAD SCREW	OP-0029	CNC LIGHT WEIGHT CHASSIS -LONG
33310	M3 X 10 BUTTON HEAD SCREW	OP-0030	CENTER UNIVERSAL DRIVE SHAFT SET -LONG
33312	M3 X 12 BUTTON HEAD SCREW	OP-0032	MULTI-MODE IR LED CONTROLLER UNIT
35212T	M2 X 12 BUTTON HEAD TAP SCREW	OP-0033	MULTI-MODE LED CONTROLLER UNIT
33414	M4 X 14 BUTTON HEAD SCREW	OP-0034	SINGLE-MODE LED CONTROLLER UNIT - 8.4V
35412	M4 X 12 BUTTON HEAD SCREW	OP-0035	SINGLE-MODE LED CONTROLLER UNIT - 6.0V
35418	M4 X 18 BUTTON HEAD SCREW	OP-0036	1/8 MOTOR GEAR - 19T - 5MM
38303	M3 X3 SET SCREW	OP-0037	1/8 MOTOR GEAR - 20T - 5MM
38308	M3 X8 SET SCREW	OP-0038	1/8 MOTOR GEAR - 21T - 5MM
38404	M4 X4 SET SCREW	OP-0039	1/8 MOTOR GEAR - 22T - 5MM
38504	M5 X 4 SET SCREW	OP-0049	CNC CENTER DIFF. TOP PLATE FOR EP
38505	M5 X5 SET SCREW	OP-0050	CNC F/R CHASSIS STIFFENER SET
39008	M3 NYLON NUT	OP-0052	CNC CENTER DIFF. MOUNT SET FOR EP
		OP-0053	ORANGE LED SET - 3MM
		OP-0054	RED LED SET - 5MM
		OP-0055	BLUE LED SET - 5MM
		OP-0056	WHITE LED SET - 5MM
		87005	CENTER SPUR GEAR 46T
		87329	FRONT ANTI-ROLL BAR 2.4MM
		87329-2	FRONT ANTI-ROLL BAR 2.6MM
		87329-3	REAR ANTI-ROLL BAR 3.0MM
		87356	FRONT ANTI-ROLL BAR 2.3MM
		89147	CNC REAR WHEEL HUB
		89635	CNC FUTABA SERVO HORN



HOB AO ENTERPRISING CO.,LTD.

www.hobao-racing.com

E-Mail:hobao@hobao.com.tw

Made in Taiwan